

1. DESCRIPTION

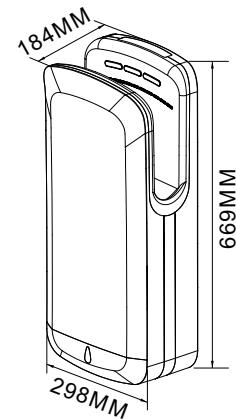
The hand dryer is a surface-mounted hand dryer powered by a brushless or brush motor, and delivers 1650 watts of drying power. The dryer incorporates a replaceable HEPA filter and a reused air intake prefilter. An infrared sensor is used to automatically activate the dryer. The dryer is intended for use in commercial, industrial, office and public facility environment.

2. ADVANCE FEATURES

THIN design with rapid drying, cost effective and most Hygienic.
25Seconds continuous timer protection.
Anti-splash structure design.
Using highly efficient motor to create strong winds to sweep the water off from hands.
No disposal, storage and labor cost compared with paper towel, only clean once a day.
Clean air by UV sterilization to keep air bacteria free.
99% of all bacteria filtered by HEPA filter with easy changeable system.
Up to 90% saving compared to paper towel costs.
ECO-friendly product by power saving clean technology and less amount of carbon dioxide.

3. SPECIFICATIONS

| | |
|---------------------|--|
| Voltage: | 220V-240V 50/60Hz <input type="checkbox"/> |
| | 110V-120V 60Hz <input type="checkbox"/> |
| Power/High Speed: | 1650W-2050W(Heater on)/700W-800W(Heater off) |
| Power/Low Speed: | 1450W-1850W(Heater on)/650W-700W(Heater off) |
| Air Temperature: | 40°C(Room Temp.= 25°C) |
| Air Velocity: | 100M/S |
| Air Flow: | 130M ³ /H |
| Drying Time: | 7-9S |
| Protection Level: | IPX1 |
| Electric Isolation: | CLASS 1 |
| Motor: | Brushless or Brush Motor in 22000RPM |
| Noise(at 1M): | 70dB |
| Cabinet Material: | ABS Plastic |
| Net Weight: | 7.5 KGS |
| Gross Weight: | 9.1 KGS |



4. SAFETY INFORMATION

⚠ DANGER Failure to disconnect the power source before installation or servicing can result in serious injury or death from electric shock. Always disconnect the power source before servicing or installing the hand dryer.

⚠ WARNING Risk of fire, electric shock, personal injury or property damage are possible if local codes, or safety recommendations are not followed.

- Use only for drying hands and do not use hand dryer for any purpose other than drying hands.
- Carefully follow all instructions for installation on the enclosed installation template/instructions.
- Installation should only be performed by qualified persons in compliance with all applicable national and local codes and standards.
- When cutting or drilling into wall or ceiling, do not damage electrical wiring and other hidden utilities.
- Always connect to a branch circuit with circuit breaker or fuse protection with an electrical rating greater than the model hand dryer's rated amperage.
- Use only the electrical power(voltage and frequency) specified for the model hand dryer being installed.
- Each hand dryer must have a dedicated circuit.
- For indoor use only. Do not use outdoors. Do not expose to rain, sun or extreme temperatures. Do not use near source of water or extreme heat.
- To limit a voltage drop, and insure efficient operation, use right size wire is required.
- Repair work should only be performed by an authorized electrician.
- This appliance is not intended for use by persons with reduced physical, sensory or mental capabilities, or lack of experience and knowledge, unless they have been give supervision or instruction concerning use of the appliance by a person responsible for their safety.

⚠ WARNING Risk of fire, electric shock, personal injury or property damage are possible if the following safety precautions are not followed.

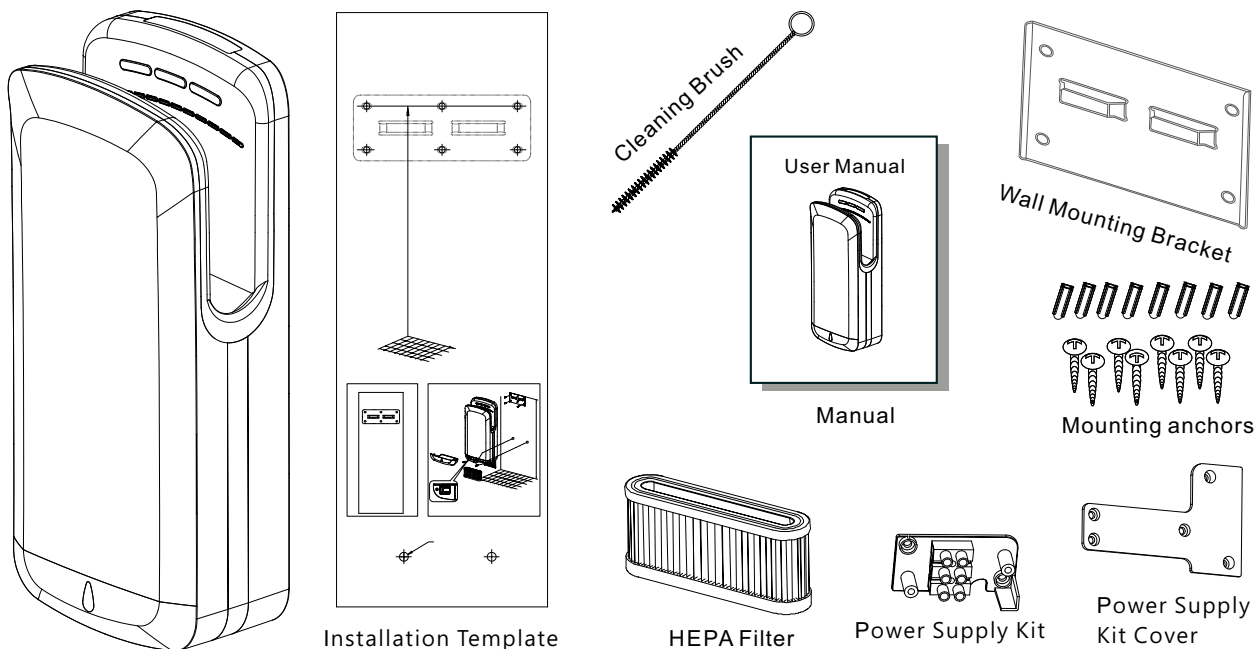
- Repair work should only be used only genuine replacement parts.
- Do not insert foreign objects in the unit or place heavy objects on the unit.
- Do not use in corrosive environments or explosive atmospheres.
- Do not use in extremely humid locations or near source of water.
- Do not immerse appliance in water or other liquid.
- Children should be supervised not to play with the appliance.

⚠ WARNING When you dispose of an old appliance or any components, follow any local and national laws on disposal of electronic waste. This appliance must not be disposed together with the domestic waste. This appliance has to be disposed at an authorized place for recycling of electrical and electronic appliances. By collecting and recycling waste, you help save natural resources, and make sure the product is disposed in an environmental friendly and healthy way.

5. UNPACKING / STANDARD ACCESSORIES

1. Remove all packing material. Recycling is recommended.
2. Carefully remove the hand dryer from the shipping carton, using care not to drop the appliance.
3. Inspect carefully for any damage that may have occurred during transit. Check for any loose, missing or damaged parts. If the hand dryer is damaged or missing parts, promptly inform the dealer where you purchased it.

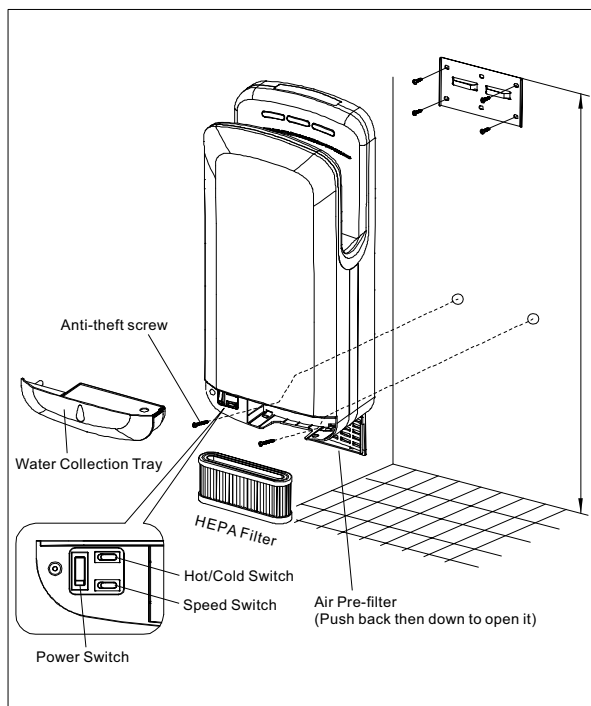
Standard items included with the hand dryer are:



6. INSTALLATION

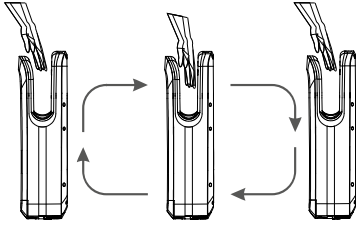
CAUTION Improper mounting could result in personal injury or property damage.

1. Use the mounting template provided to mark the locations for the 8 wall mounting anchors to attach the wall mounting bracket to the wall.
2. It is recommended that at least 2 of the 6 mounting anchors for the unit be fastened into a wall stud or support.
3. To use the hollow wall anchors included with the wall mounting kit, pre-drill the wall in the marked locations using a 6/25" (6mm) drill, insert the plastic anchors and tap flush to the wall.
4. Complete the attachment of the wall mounting bracket to the wall with the 6 mounting anchors.
5. If the hand dryer supplied with plug then hang it on bracket.
6. If the hand dryer is supplied without plug and please open the power supply kit cover on hand dryer back then connect it as follows <Power should be OFF>:
 - A. Connect the live wire (Coloured Brown, Red, or Black) to the terminal block marked "L".
 - B. Connect the neutral wire (Coloured Black, Blue) to the terminal block marked "N".
 - C. Connect the ground wire (Coloured Green & Yellow) to the terminal block marked "E".
 Replace power supply kit cover then hang dryer on bracket.
7. Remove the water collection tray from the bottom of dryer, and complete the attachment of the dryer with left 2 anchor.
8. Before replace water collection tray, there is an option to run the dryer heater On or OFF and air speed High or Low. The switch is clearly marked.
9. Replace the water collection tray.
10. Open the pre-filter to install the HEPA filter if necessary with rubber ring side up.
11. Connect plug to power supply socket or turn on power.



7. HOW TO USE

1. No-touch operation.
2. There is a blue LED light to guide user to the air flow.
3. The hand dryer will start automatically when hands are inserted.
4. Slowly move your hands up and down through the air stream for 7-10 seconds.
5. The hand dryer will stop automatically after hands are removed.



LED Display: The LED display provides information about the operation and servicing needs of the hand dryer.

- A. Drying time and welcome diagram
- B. Power indicator
- C. Air sterilization indicator
- D. Self-check indicator

The dryer is equipped with an ON/OFF Power Switch, Speed Control Switch and Hot/Cold Switch for option if desired. The factory default setting for the Power Switch "ON", Speed Control Switch "HIGH" and Hot/Cold Switch "HOT". All the switch are located inside the dryer - left side of the water collection tray. To access, remove the water collection tray and it is clearly shown.

8. Maintenance and Cleaning Instructions

CAUTION on HEPA: Failure to replace a used / dirty HEPA filter can cause overheating of the hand dryer's motor or heat element then may invalidate your warranty right. It is recommended to clean it once/week.

1. This hand dryer is equipped with removable intake air pre-filter and a replaceable HEPA filter.
2. Regularly check filter status is required. High traffic may require more frequent replacement of the HEPA filter.
3. The removable intake air pre-filter can be cleaned and re-used.
4. Replacement filters can be purchased through your dealer where you purchased the hand dryer.
5. HEPA filter is recommended to be cleaned by a vacuum cleaner.

CAUTION on Water Collection Tray: Regular check water collection tray's water level from its front viewer and emptying the water. Clean the tray then replace it. Full tray's water will overflow onto the floor.

CLEANING

All surface of the hand dryer can be cleaned with a soft cloth and no-abrasive, non-caustic cleaning solutions. Provided cleaning brush should be used for cleaning the drain hole in the bottom of the drying cavity.

9. DIAGNOSTICS & REMEDIES

| SYMPTOM | CORRECTIVE ACTION |
|-------------------------------------|---|
| Hand dryer fails to start | Check power supply is turned on and the power switch on hand dryer is on. Check for foreign objects in the drying cavity that maybe blocking the sensors. Insert hands a little further into the drying cavity to active sensors. |
| Hand dryer turns on/off erratically | Clean sensor area inside the drying cavity. |
| Not hot air | Heater is not workable if ambient temperature is more than 25°C. Check heater fuse or heater assemble broken. |
| Low airflow | Turn speed control switch at position of "H" |
| Hand dryer locked | Hand dryer will be locked by program if volatge changed range is more than 15%. If long time without operated the hand dryer locked. Turn off thehand dryer several minutes then turn it on. |

10. LIMITED WARRANTEE

This hand dryer has a 1year warranty from the date of purchase for any manufacturing defect. It covers replacement of defective parts except when caused by improper use of the hand dryer. This warranty is only valid if the form card has been properly filled up with the vendor stamp. For any warranty claim you should contact your local distributor or manufacturer.

Model:..... Serial No.:.....

Distributor:..... Customer:.....

Address:.....

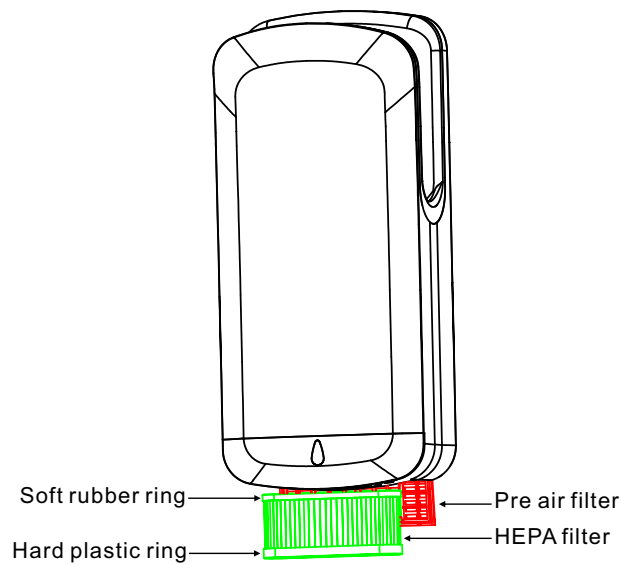
Tel No.:..... Fax No.:.....

Date of purchase:.....

For Seller:..... Signature & Stamp:.....

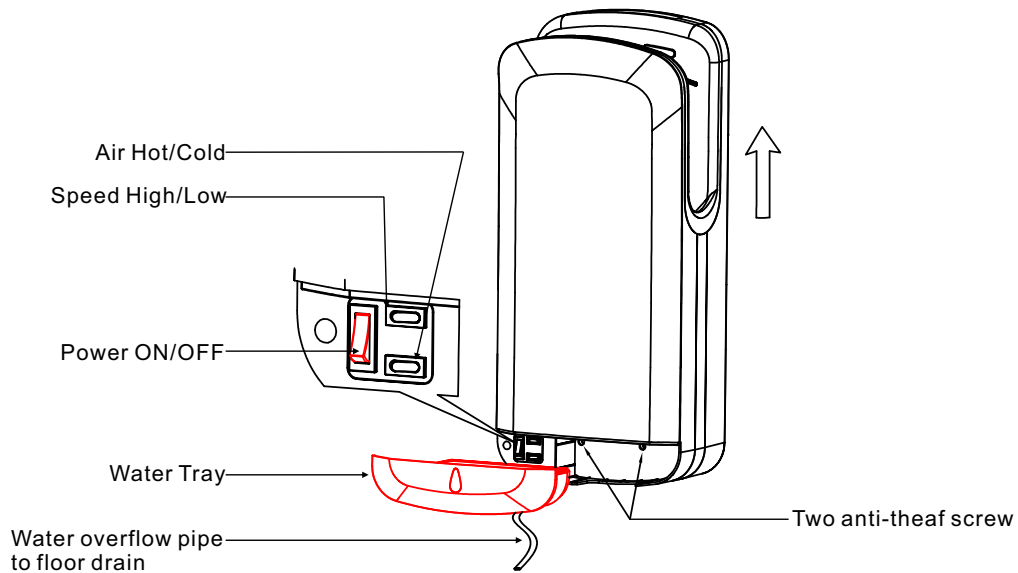
Replace HEPA Filter and Clean Pre-filter

⚠ WARNING: Disconnect power at the service breaker or unplug the hand dryer before servicing & maintenance !



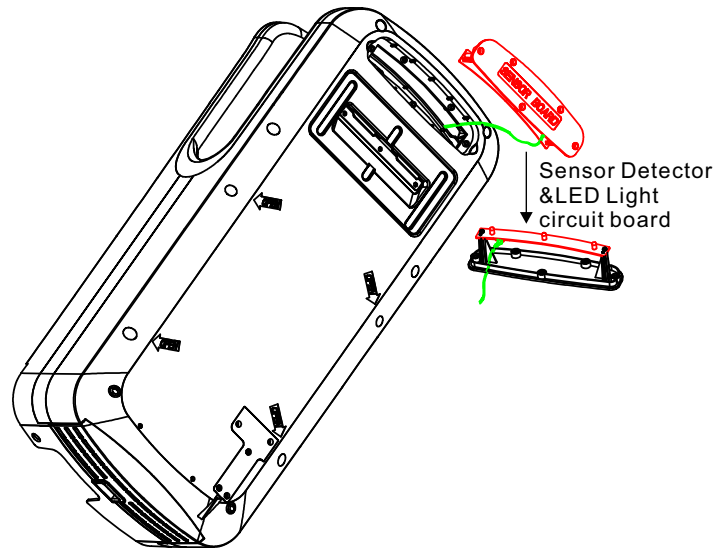
1. Press back then down to open pre air filter.
2. Take the HEPA filter out. When replace a new HEPA, be sure that the HEPA's rubber ring at upside.
3. Clean the dust lint on the pre-filter.

Replace water tray and uninstall hand dryer from wall



1. If there is a water overflow pipe connected, please move it.
2. Pull front to take the water tray out. Then loose two anti-theaf screw <Only the HEAP is moved when refix these two screw>.
3. First pull up then pull front to take hand dryer from wall. Take it careful which weighs 11KG.
5. After reinstallation, before replace water tray, there is an option to run the dryer heater On or OFF and air speed High or Low. The switch is clearly marked.

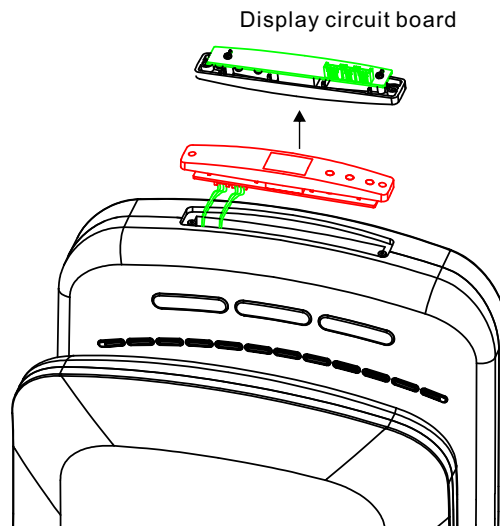
Replace Sensor Detector & LED Light Circuit Board



Replace Sensor Detector&LED Light Circuit Board:

1. Loose screw on the sensor detector&LED light circuit board holder. Use a screwdriver to pull the cover a little to open it.
2. Take cover out lightly and the circuit board will come together ! Be careful there is wire connected on the circuit board.
3. Loose two screw on circuit board and replace a new one.

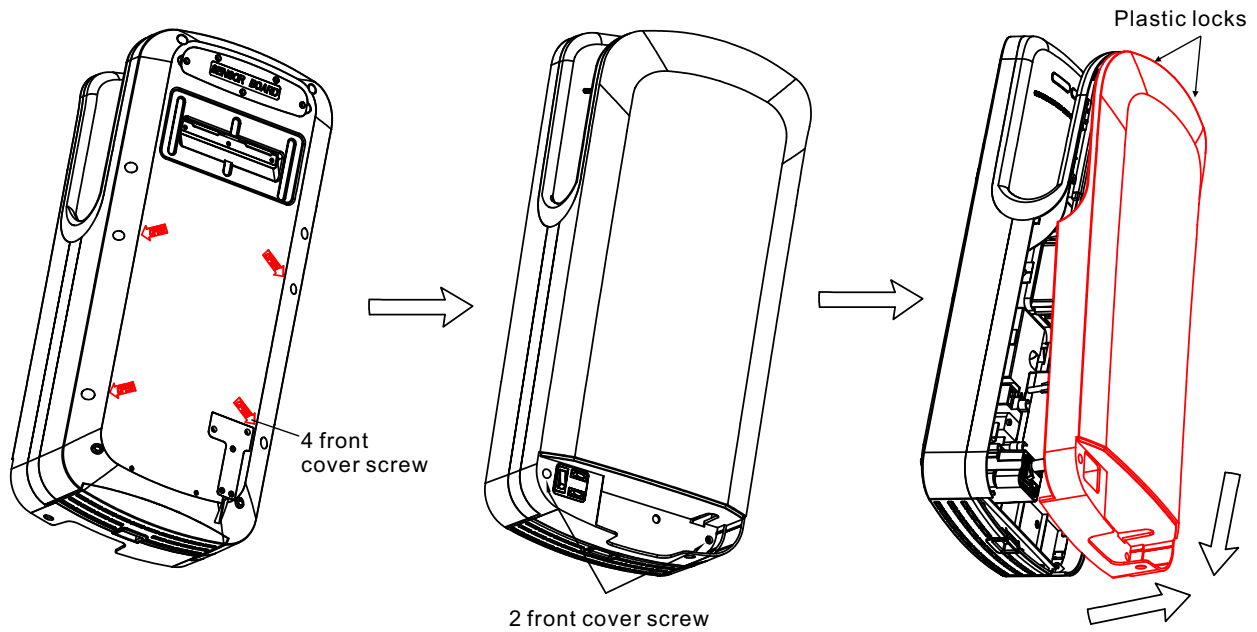
Replace Display Circuit Board



Replace Display Circuit Board:

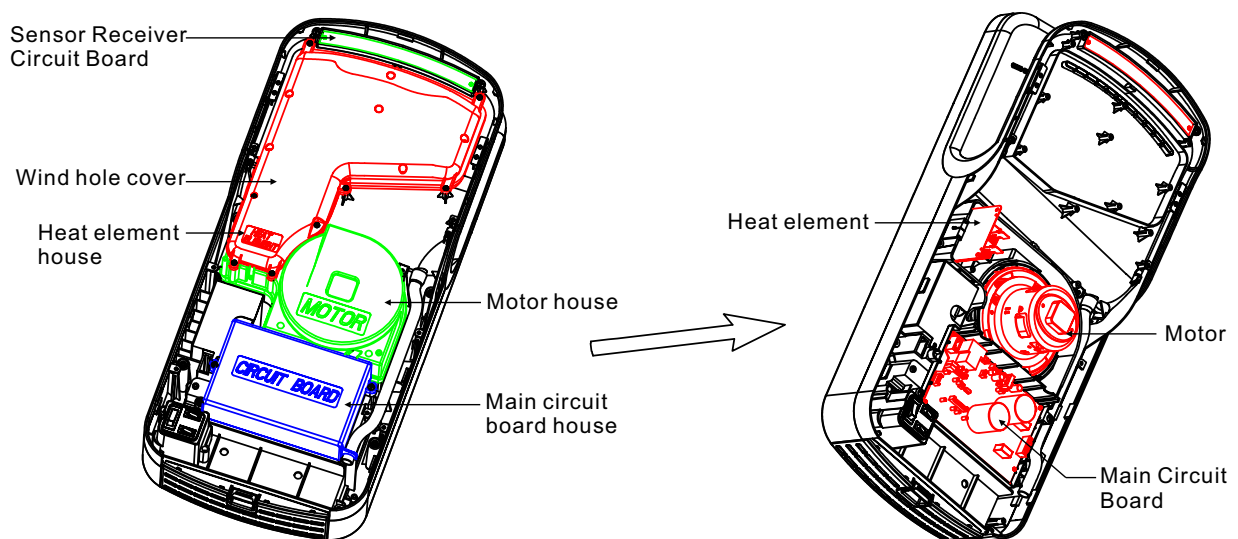
1. Move the sticker away. Be careful not damage the hand dryer edge where will affect the surface looking.
2. Loose two screw on the timer circuit board holder. Use a screwdriver to pull the holder a little to open it.
3. Take holder out lightly and the circuit board will come together ! Be careful there is wire connected on the circuit board.
4. Loose two screw on circuit board and replace a new one.
5. After replace the new circuit board right, it is suggested to use a new sticker for good looking.

Open hand dryer front cover



1. Loose 4 front cover screw on hand dryer back base as the arrow marked.
2. Loose 2 front cover screw on the hand dryer front&bottom.
3. Pull the front cover up then back a little to take it.
4. Pull the cover slowly and slightly because there is plastic locks on the top side.
5. Please do not damage the top side plastic locks because it is used to fix the front cover well on the base.

Replace Main Circuit Board, Sensor Receiver Board, Motor, Heat Element



Replace Main Circuit Board: Move marked circuit board house cover and replace a new right circuit board.

Replace Sensor Receiver circuit board: .Move marked circuit board screw and replace a new right one.

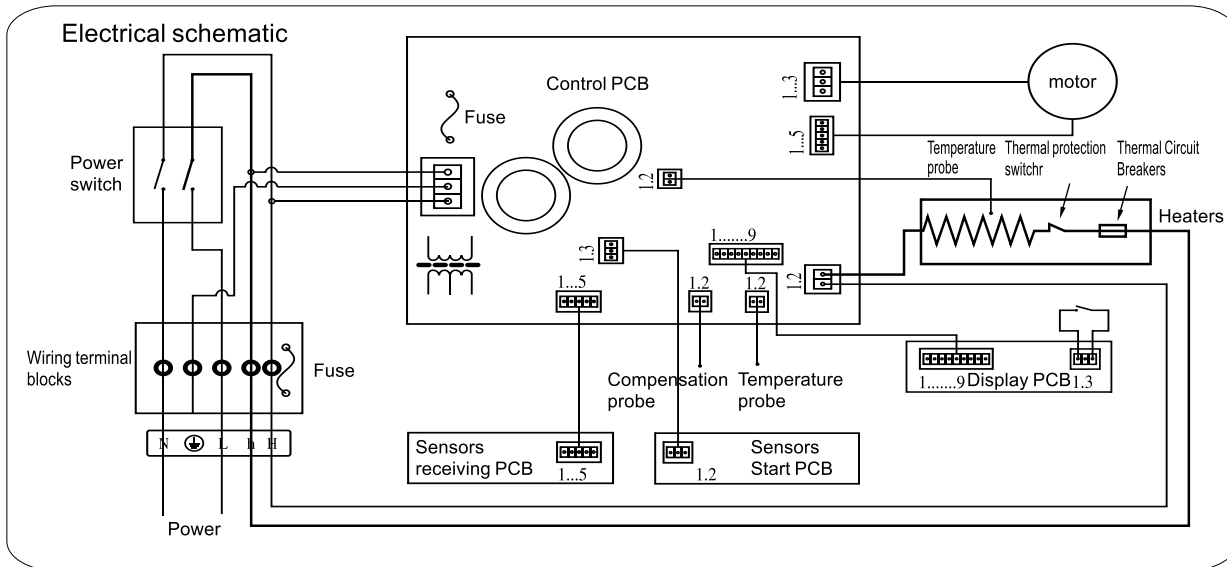
Replace Heat Element:

1. Move marked wind hole cover. Take the heat element out then replace a new one.
2. Replace wind hole cover. Be sure the air seal rubber at right location to avoid wind leakage.

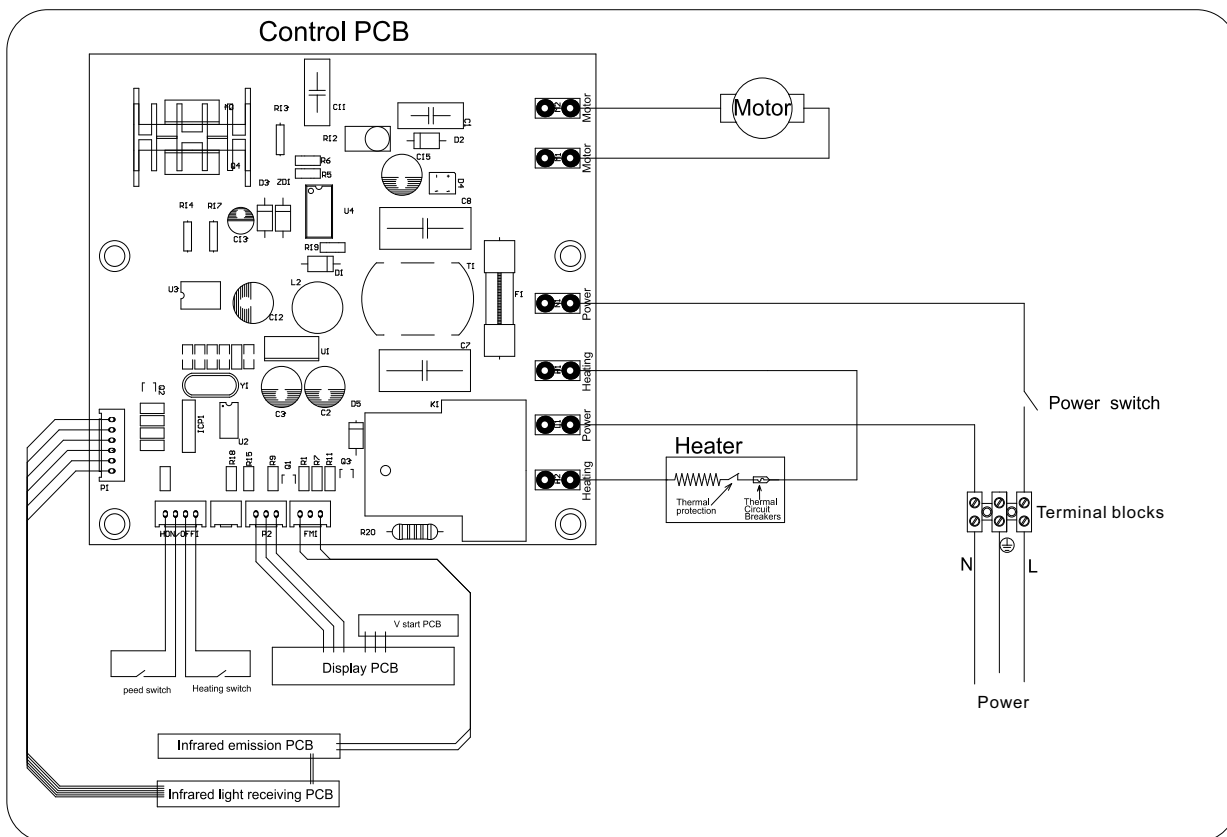
Replace Motor:

1. Move marked wind hole cover and motor cover. Take the motor out and then replace a new motor.
2. Replace motor cover. Be sure the motor protection rubber&foam, air seal rubber at right location.
3. Replace wind hole cover. Be sure the air seal rubber at right location to avoid wind leakage.

Hand Dryer by Brushless Motor Electric Diagram



Hand Dryer by Brush Motor Electric Diagram





Intelligent Facility Solutions Ltd
Electric Works
3 Concourse Way
Sheffield
S1 2BJ

+44 (0)114 354 0047
service@ihdryers.co.uk
intelligenthanddryers.com