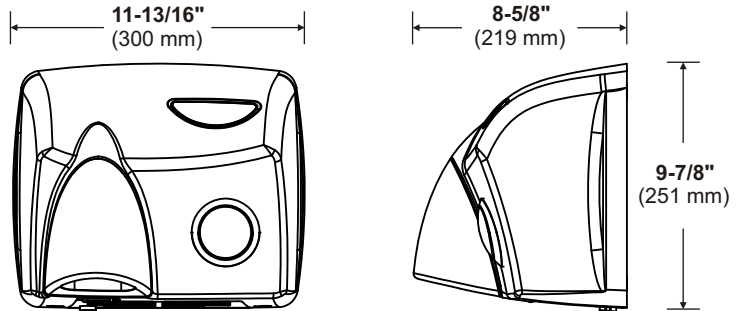


Hand Dryer **Operating Instructions and Parts Manual**

Surface-mounted Push Button hand dryer

PLEASE CAREFULLY READ THROUGH THIS MANUAL BEFORE USING THE PRODUCT. OBSERVING ALL SAFETY INFORMATION, WARNINGS AND CAUTIONS WILL PROTECT YOURSELF AND OTHERS. PLEASE KEEP INSTRUCTIONS FOR FUTURE REFERENCE.

MODEL : TOUCHDRY



- HDTDWHTSG - white with silver gloss nozzle & button
- HDTDWHTPC - white with polished chrome nozzle & button
- HDTDWHTSC - white with satin chrome nozzle & button

TECHNICAL SPECIFICATIONS

ITEM CATEGORY	PERFORMANCE DATA
Operating Voltage	220/230/240VAC, 50/60Hz, 9.2/9.6/10A, 2.0/2.2/2.4kW MAX
Output Warm Air Volume	343m ³ /h {202CFM}
Output Warm Air Temp	60°C {140°F} at ambient T = 25°C {77°F}
Output Air Speed	35m/s [126km/hr] {115ft/s {78mi/hr}}
Motor Type	1/4HP, 5.5k rpm, Brush Type, Dual Ball Bearings
Motor Thermal Protection	Auto Resetting Thermostat turns unit off at 105°C, {221°F}
Heater Element	1780/1947/2120W @ 220/230/240VAC, Nichrome 27.2Ω
Heater Thermal Protection	Auto Resetting Thermostat turns unit off at 65°C, {149°F}, Resets at 50°C {122°F}
Drying Time	Less than 20 seconds
Circuit Operation	Push Button Actuation, preset for 30 seconds
Output Air Nozzle	Heavy-Duty Chrome plated Zinc die casting
Sound Level	63.8dB@ 2m
Cover Type	Formed Steel, 1.6 mm, [1/16"] thick
Cover Finish	Epoxy Enamel white baked-on coating
Net Weight	6.2kg [13.7lbs]
Shipping Weight	7.0kg [15.4lbs]
Unit Size	300mm W x 251mm H x 219mm D [11-13/16" x 9-7/8" x 8-5/8"]

Input	Motor			Heater		Total	
VAC	Vac	Inrush A(W)	Operating A (W)	Vac	Inrush / Operating A(W)	Inrush A(W)	Operating A(W)
220	220	1.6 (353)	1.07 (235)	220	8.09 (1781)	9.69 (2134)	9.16 (2016)
230	230	1.68 (386)	1.12 (258)	230	8.46 (1947)	10.14 (2333)	9.58 (2204)
240	240	1.75 (420)	1.16 (280)	240	8.83 (2120)	10.58 (2540)	10.0 (2400)

General safety information

⚠ WARNING *This product is intended for installation by a qualified service person.*

⚠ WARNING *Disconnect power at the source before installing or servicing.*

⚠ DANGER *Failure to properly ground unit could result in severe electrical shock and/or death.*

⚠ WARNING *All units must be supplied with a 3-wire service. The ground wire must be connected to the dryer's backplate.*

-- NOTE: Do not install dryer over washbasin --

Installation

1. Make sure the power source is switched off. Installation must be carried out in accordance with the current edition of the local wiring regulations code having jurisdiction. Installation should be performed only by a qualified electrician.
2. Place template against wall at desired height (see mounting height recommendations) and mark locations of 4 mounting holes and wire service entry at knockout (KO) location.
Note: For two or more dryers, dryers should be no closer than 610 mm (24 inches) on center.
3. Remove and retain 2 cover screws and cover.
4. **For in-wall (concealed) power supply** - Provide supply wire to KO location according to local code and attach securely to chassis at KO with appropriate strain relief connector (not supplied).
5. Attach dryer to wall. For wood wall/studs use 1/4 inch (M6) screws at length that will ensure 1 inch (25 mm) min. stud penetration. For masonry walls use expansion bolts or anchors for 1/4 inch (M6) screws to ensure penetration 1/4 inch (6 mm) deeper than anchor. Shim if necessary to ensure base plate is flat against wall.
6. Connect supply and ground wires to terminal block where indicated or connect supply wires to terminal block where indicated and connect ground wire to base plate with ground screw (Connections: A. Connect the live wire (colored Brown or Black) to the terminal block marked "L1". B. Connect the neutral wire (colored White or Grey) or connect the second live wire (colored Red or Orange) to the terminal block marked "N/L2". C. Connect the ground wire (colored green or green and yellow or bare conductor) to the terminal block marked "⊕" or to the green screw marked "⊕"). Colors of live and neutral wires depend on voltage of supply service and requirements of Building and Electrical Code having jurisdiction.
7. Replace cover. Do not over-tighten screws.

Packing List	Quantity
Self-Threading Screws	4
Plastic Expansion anchor	4
Dryer	1
Security hex driver	1
Manual	1
Mounting template	1
Power cord	1

Recommended mounting heights

Men	1270 mm	(50")
Women	1194 mm	(47")
Children 4-7 years	889 mm	(35")
Children 8-10 years	991 mm	(39")
Children 11-13 years	1092 mm	(43")
Children 14-16 years	1194 mm	(47")
Handicaped	1016 mm	(40")

- from centerline of push button of dryer above finished floor (AFF)

SEE TEMPLATE 0701191401

Reference **ADAAG** AFF (maximum)
Reach LIMIT (unrestricted)

All Approaches 1219 mm (48")

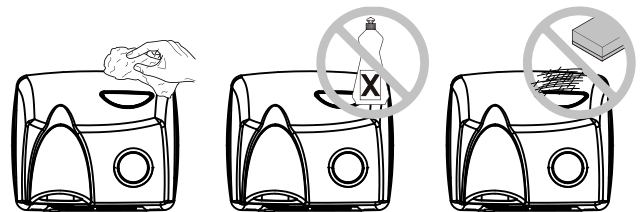
Operation

- Single button push operation.
- Shake excess water from hands.
- Place hands under the nozzle and push button to start operation.
- Run hands lightly and rapidly.
- Stops automatically after preset time elapses.

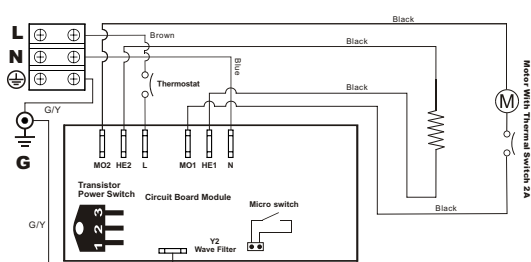
Cleaning and Maintenance

Periodic cleaning of the unit is recommended to ensure optimum performance.

- Disconnect the electrical supply.
- Remove the two cover-mounting screws.
- Remove the cover.
- Clean all dust lint from the interior of the dryer.
- Wipe the cover with a damp cloth and mild cleaning solution. Do not Soak. Never use abrasives to clean the cover.
- Replace the cover. Do not over tighten the screws.



Circuit Diagram



Diagnosics and Remedies

Symptom	Corrective Action
If the dryer will not run	First ensure that the breaker supplying the dryer is operational. If it is, disconnect the power and remove the dryer cover. Check for obstructions blocking the rotation of the blower and clear any found. If it spins freely, check the motor, manual push-button switch and thermostat for proper operation out of the unit. Replace any failed items. Taking suitable precautions to avoid shock hazard, reconnect the power and check for voltage at the terminal block. If there is power and the dryer will not run, replace the timer assembly.
If the dryer cycles by itself, runs all the time, or will not run for complete cycle	Replace the timer assembly.
If the element gets hot but the fan motor does not turn	Disconnect the power. Remove the dryer cover and check for obstructions in the fan housing. Damaged fans must be replaced. If there are no obstructions, replace the motor.
If the unit runs but makes a buzz noise	Disconnect the power. Remove the dryer cover and check the fan for obstructions and/or rubbing on the housing as it rotates. Remove any obstructions and replace fan if the rubbing condition exists.
If the fan motor runs but the element does not get hot (Dryer blows cold air)	Disconnect the power and remove the dryer cover. Check for loose or damaged wires. Remove the blower housing. Check the element for signs of burning or breakage. Damaged element must be replaced. If the element does not appear damaged, disconnect it at the timer assembly and check element wire continuity (see tech spec). An open circuit indicates damage to the element wire and to the integral temperature limit control (TLC). Separate the TLC and test for open circuit. If this is the case, replace the element and/or the thermostat.
If the motor makes ticking/winding noise when it runs	Disconnect the power. Remove the dryer cover and check the brushes for worn condition (less than 25/64" (10mm) graphite remains) and replace them, if necessary. Purchase rebuild kit to perform repair.

Repair parts list

Key	Part #	Description	Qty	Key	Part #	Description	Qty
1	A0074	Cover	1	29	-	Screw M5x10,	4
2	A0042	Name plate	1			philips pan head	
3	A0043	Air outlet Nozzle	1	30	-	Screw M5x12,	7
4	A0044	Security hex cap head 1/4"-20 x1/2" screw with lock washer	2	31	-	Screw M4x18,	2
5	A0045	Security hex wrench 5mm	1			philips pan head	
6	A0046	Blower housing - LH	1	32	-	Cable ties (not shown)	1
7	A0015	Blower wheel	1	33	-	Screw M4x10,	1
8		Heater assembly	1			philips pan head with external tooth lock washer	
	A0060	2200W@240Vac 24Ω					
9	A0048	Base plate	1	34	A0183	Nylon Cable Clamp	1
10	A0011	Grounding screw with cup	1	35	A0131	CAUTION 12A Label	1
11	A0075	Actuating Switch	1	36	A0065	S/N Barcode Label	1
12	A0356	Actuating Switch bracket	1	37	A0353	Circuit Diagram Label	1
13		Timer assembly	1	38	A0068	CAUTION DISCON PWR Label	1
	A0355	220-240Vac					
14	A0054	Air outlet gasket	1	39	A0069	Rubber Boot Brush Insulator	2
15	A0055	Air outlet holder	1	40	A0071	Air outlet grille	1
16	A0056	Blower housing - RH	1	41	A0072	Silicon Washer	1
17	A0013	Thermostat (TLC)	1	42	A0277	Nylon Hole Bushing	1
18	A0057	Motor bracket	1	43	A0080	Push Button Nut	1
19	A0007	Nylon washer -Motor	1	44	A0081	Push Button	1
20		Motor		45	A0082	C clip	1
	A0062	3/8HP @240Vac	4	46	A0083	Push Button Lock spring	1
21	A0026	Motor brush	1	47	A0084	Push Button Holder	1
22	A0005	Rubber grommet - Motor	2	48	A0085	Push Button Cushion	1
23		Rating label		49	A0114	Push Button bumper	1
	A0106	220-240Vac	1	50	A0288	Power Cords	1
24	A0059	Terminal label	1				
25	-	Screw (M4x6),headless set (with 2mm hex key)	3				
26	-	Screw #10-24x1/2", philips truss head	3				
27	-	Hex Nut #10-24	3				
28	-	Self Threading Screw M4x10, philips pan head	2				

Assembly Diagram

