

Dri-Tap (Deck-Mounted)

A high speed hand dryer that is hidden below deck with only the spout affixed to the wash basin, which creates a new clutter-free washroom experience. Users can dry their hands right after they wash them. Tap also simplifies the cleaning process because all water goes into the basin. Tap is ideal for construction projects. Designers can customize the spout to match any washroom.

Why the Dryflow® Dri-Tap?

Specs



air speed 84-101 m/s



standby power 0.3-0.4w



1kW only



IP35



carbon filter assembly

Design



intelligent temperature control technology



smart air outlet design



gradient led light



sound & power adjustment



standard deck opening diameter: 35mm

In Use



10-15 seconds drying time



save more than 80% of energy cost



three safety protections



60s timing protection

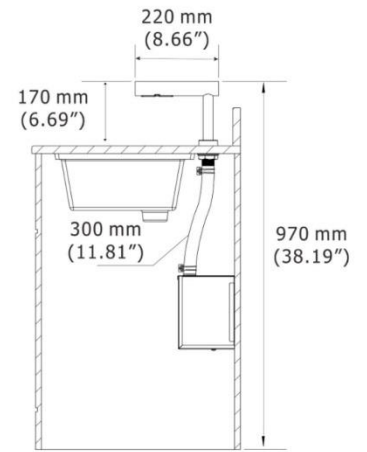
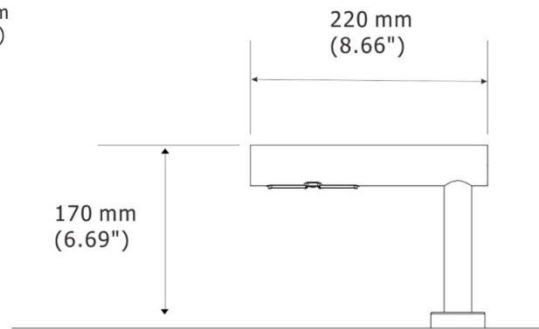
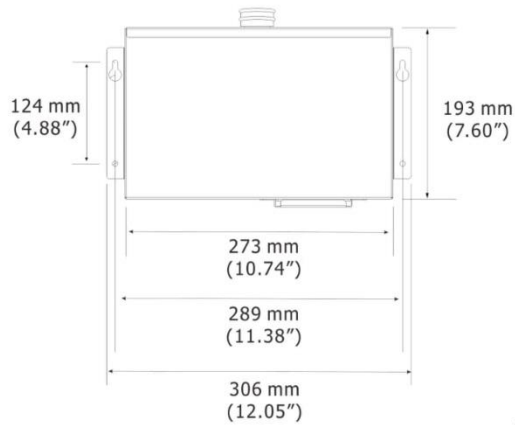


easy to clean



easy maintenance

Specification



Demonstration only. Dimensions depending on desk thickness.

Cover Finish	Satin Finish
Cover Material	Stainless Steel
Packaging (carton)	1 dryer/carton. Gross weight 8.1kg. Measurement 1.6'
Drying Time	Less than 10-15 seconds
Operating Voltage	110V-120Vac, 50/60 Hz, 0.84-1.0kW 220V-240Vac, 50/60 Hz, 0.84-1.0kW
Motor Wattage	500W
Standby Power	0.3-0.4W
Air Speed	84-101 m/s, Adjustable
Sound Level	MIN 68.5 dB to 70.5 dB MAX @ 1m
Sensing Range	130 mm ± 20 mm, Adjustable
Drip Proof	IP35
Timing Protection	60 seconds auto shut off
Motor Thermal Protection	Auto resetting thermostat turns unit off, 120V at 135°C(275°F), 240V at 95°C(203°F)
Heater Thermal Protection	Auto resetting thermostat turns unit off at 85°C(185°F) Thermal fuse cuts unit off at 142°C(288°F)

Safety Approvals



Dri-Tap (Wall-Mounted)

A high speed hand dryer that is hidden behind wall with only the spout affixed to the wash basin, which creates a new clutter-free washroom experience. Users can dry their hands right after they wash them. Tap also simplifies the cleaning process because all water goes into the basin. Tap is ideal for construction projects. Designers can customize the spout to match any washroom.

Why the Dryflow® Dri-Tap?

Specs



air speed 93-110 m/s



standby power 0.3-0.4w



1kW only



IP35



carbon filter assembly

Design



intelligent temperature control technology



smart air outlet design



gradient led light



sound & power adjustment



standard wall opening diameter: 35mm

In Use



10-15 seconds drying time



save more than 80% of energy cost



three safety protections



60s timing protection

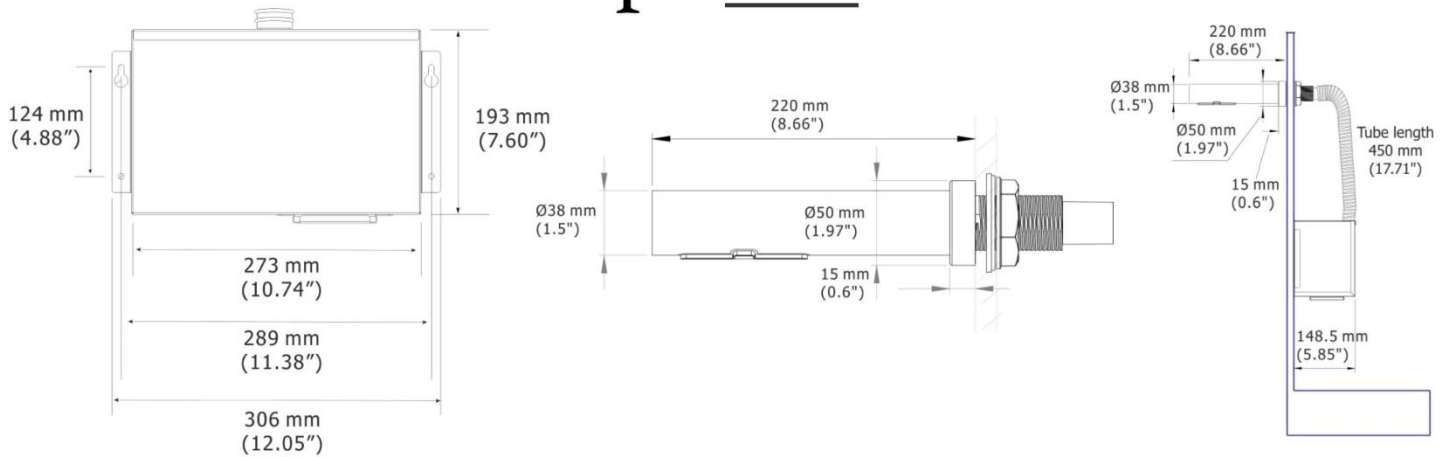


easy to clean



easy maintenance

Specification



Cover Finish	Satin Finish
Cover Material	Stainless Steel
Packaging (carton)	1 dryer/carton. Gross weight 8.1kg. Measurement 1.6'
Drying Time	Less than 10-15 seconds
Operating Voltage	110V-120Vac, 50/60 Hz, 0.84-1.0kW 220V-240Vac, 50/60 Hz, 0.84-1.0kW
Motor Wattage	500W
Standby Power	0.3-0.4W
Air Speed	93-110 m/s, Adjustable
Sound Level	MIN 70 dB to 72 dB MAX @ 1m
Sensing Range	130 mm ± 20 mm, Adjustable
Drip Proof	IP35
Timing Protection	60 seconds auto shut off
Motor Thermal Protection	Auto resetting thermostat turns unit off, 120V at 135°C(275°F), 240V at 95°C(203°F)
Heater Thermal Protection	Auto resetting thermostat turns unit off at 85°C(185°F) Thermal fuse cuts unit off at 142°C(288°F)

Safety Approvals

