



## Soap Dispenser

Hands free

Foam and liquid available

High quality sensor

Long life cycle

Stainless steel #304

## Sensor Tap

Hands free

All in one design

Stainless steel #304

Auto detecting sensing range

## Hand Dryer

Hands free

Intelligent temperature control technology

Energy-saving

IP35

Carbon filter assembly



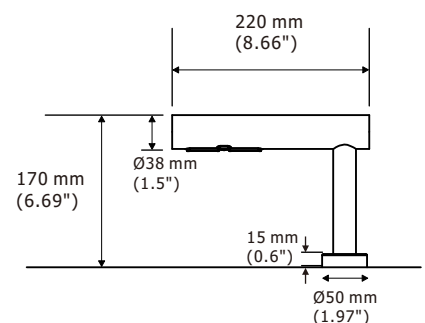
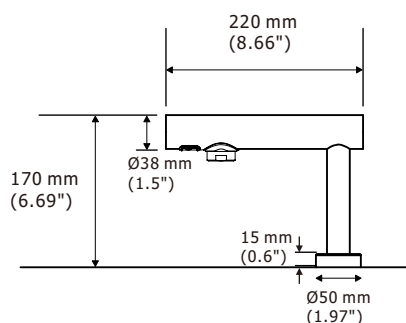
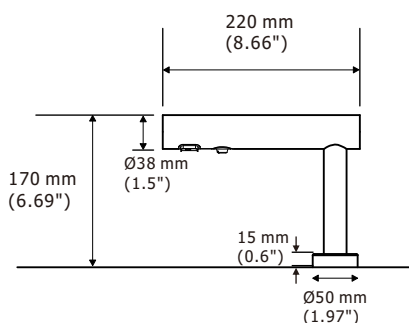
**DF34DSD**



**DF36DWT**



**DF35DM**



# Soap Dispenser

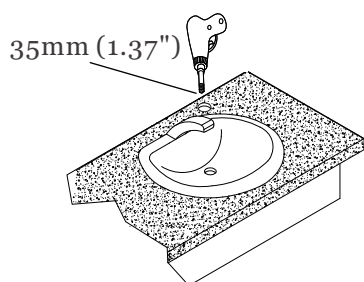
## Technical Specification

Material	Stainless Steel #304
Power Source	AC (6V)
Standby Power	0.14W
Sensing Range	150 mm $\pm$ 20 mm auto detecting, adjustable
Soap Volume	1-1.5 ml (liquid), 0.6-0.8 (foam)
Soap Pump Life Cycle	100k
Mechanism Life Cycle	500k
Soap Bottle	1,500 ml
Drip Proof	IP35
Safety Approval	CE
Packaging	6 dispensers/carton. G.W. 14.0kg. Meas. 4.6'

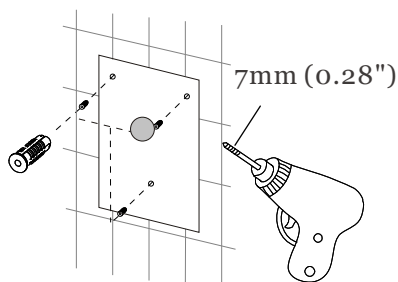
## Light Indication

Standby	Solid green light
Operation	From green light to red light
Wrong Type of Soap	Flashing green and red light
Empty Soap Bottle	Flashing green light

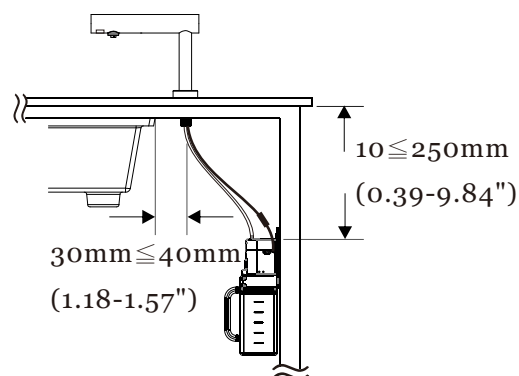
## Installation



One hole for spout



Three holes for back plate



Recommended deck thickness:  
10-30mm (0.39-1.18")

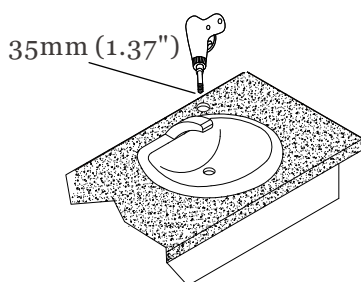
## Technical Specification

Material	Stainless Steel #304
Power Source	AC (6V)
Standby Power	Less than 0.1W
Sensing Range	120 mm $\pm$ 20 mm auto detecting, adjustable
Applicable Water Temperature	4-85 °C
Operating Water Pressure	10~100 PSI
Delay Time	0.5-1 second
Timing Protection	One minute auto shut off
Flowing Volume	Less than 3.8 l/min
Drip Proof	IP35
Safety Approval	CE
Packaging	10 faucets/carton. G.W. 13.0kg. Meas. 2.1'

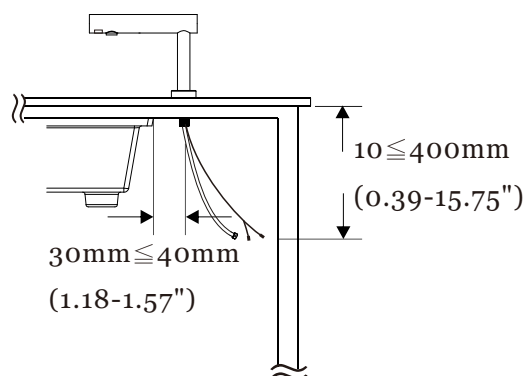
## Light Indication

Standby	Solid blue light
Operation	From blue light to red light

## Installation



One hole for spout



Recommended deck thickness:  
10-30mm (0.39-1.18")

# Hand Dryer

## Technical Specification

Material	Stainless Steel #304
Power Source	110V-120Vac, 50/60 Hz, 0.84-1.0kW 220V-240Vac, 50/60 Hz, 0.84-1.0kW
Standby Power	0.3-0.4W
Sensing Range	130 mm ± 20 mm auto detecting, adjustable
Motor Type	500 W, 22,000-29,000 R.P.M.
Warm Air Speed Output	84-101 m/s [187.9-225.9 mi/h]
Dryer Shall Deliver	108 m <sup>3</sup> /h, (64 CFM)
Sound Level	MIN 58.8 dB to 62.9 dB MAX @ 1m
Drying Time	Less than 10-15 seconds
Timing Protection	60 seconds auto shut off
Drip proof	IP35
Isolation	Class 1
Safety Approval	UL, CE, GS, CB, BSMI, EMC, LVD, WEEE, ROHS
Packaging	1 dryer/carton. G.W. 8.1kg. Meas. 1.7'

## Installation

