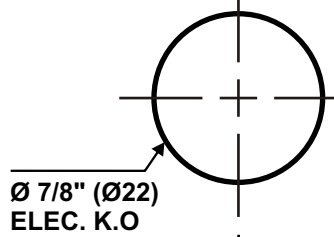
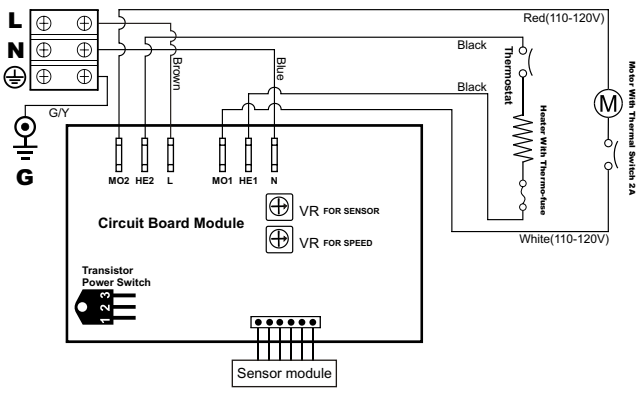


TAPE THIS SHEET TO WALL FOR HOLES LOCATION

OUTLINE OF CHASSIS
BASE PLATE (Item 25)

MODEL # 10-0194-2: 220-240Vac



OUTLINE OF COVER (Item 1)

Holes Location AFF for C-D Holes
General Purpose Suggested
51" (1295)

See OM for additional
mounting heights suggestions
for different age groups

All Dim's
inch (mm)

17/64"
(6.5)

1-7/8"
(47)

4-13/64"
(122)

**SURFACE CONDUIT
ENTRY LOCATION**

Installation**SEE OM FOR COMPLETE SPECIFICATIONS**

1. Make sure power supply breaker is switched off. Installation must be carried out in accordance with the current edition of the local wiring regulations code having jurisdiction. Installation should be performed only by a qualified electrician.
2. Place template against wall at desired height (see mounting height recommendations) and mark locations of 4 mounting holes and wire service entry at knockout (KO) location.
Note: For two or more dryers, dryers should be no closer than 24 inches (610 mm) on center.
3. Remove and retain 2 cover screws and cover.
4. a. **For in-wall (concealed) power supply -**
Provide supply wire to KO location according to local code and attach securely to chassis at KO with appropriate strain relief connector (not supplied).
b. **For Surface Mounted Conduit (exposed) power supply -**
Provide appropriate conduit to entry location according to local code and attach securely to chassis with correct strain relief connector (not supplied).
5. Drill four (4) holes at locations A, B, C and D of $\varnothing 5/16$ " ($\varnothing 8$) Diameter x 1-3/8" (35mm) deep if using wall anchors supplied with unit. Install supplied anchors flush with wall face, or install other fastening system suitable for wall conditions (not supplied). Attach dryer to wall. For wood wall/studs use $\varnothing 1/4$ inch (M6) screws at length that will ensure 1 inch (25 mm) min. stud penetration. For masonry walls use expansion bolts or anchors for $\varnothing 1/4$ inch (M6) screws to ensure penetration 1/4 inch (6 mm) deeper than anchor. Shim if necessary to ensure base plate is flat against wall.
6. Connect supply and ground wires to terminal block where indicated or connect supply wires to terminal block where indicated and connect ground wire to base plate with ground screw.

Connections:

- A.** Connect the live wire (colored Brown, Red or Black) to the terminal block marked "L".
- B.** Connect the neutral wire (colored Black, Blue, White or Grey) or connect the second live wire (colored Red or Orange) to the terminal block marked "N".
- C.** Connect the ground wire to the terminal block marked " \oplus " or to the green screw marked " \oplus ". Bare grounding (earth) wires should be sleeved with green and yellow or green tubing.

Colors of live and neutral wires depend on voltage of supply service and requirements of Building and Electrical Code having jurisdiction.

7. Replace cover. Do not over-tighten screws.