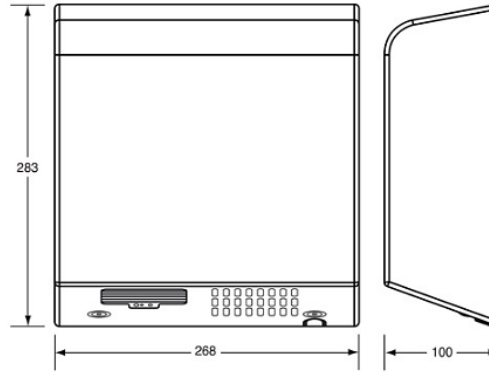


**ML_100N_SS AUTO OPERATION HAND DRYER
OPERATING MANUAL**



This unit is accessible compliant when installed in accordance with AS1428.1. guidelines.



TECHNICAL SPECIFICATIONS

CATEGORY	PERFORMANCE DATA
Operating Voltage	230-240 Vac, 50/60Hz, 2.2 -2.4Kw
Warm Air Volume Output	314.5m ³ /h (185 CFM)
Warm Air Temp Output	60°C at ambient T = 20°C
Motor Type	1/4 HP, 7500rpm, Brush Type, Dual Ball Bearings
Motor Thermal Protection	Auto Resetting Thermostat turns off unit at 105°C
Heater Element	2200W @ 240Vac
Heater Thermal Protection	Auto Resetting Thermostat turns unit off at 87°C. Thermal fuse cuts unit off at 141°C
Drying Time	Less than 15 seconds
Circuit Operation	Infrared Automatic, self-adjusting
Sensor Range	Adjustable; standard 18cm ± 2cm
Time Protection	1 minute auto shut off
Time Duration	2 seconds delayed turn off after sensor read
Cover Type	Stainless steel 1.5mm thick
Net Weight	4.5kg
Shipping Weight	5.5kg
Unit Size	268mmW x 283mmH x 100mmD

The photographs and line drawings of the products presented above are representational only. Metlam Australia Pty Ltd reserves the right to, and from time to time, make changes and improvements in design and dimensions.

Hand Dryer Operating Instructions and Parts Manual

Surface-mounted hand dryer

General safety information:

▲ WARNING *This product is intended for installation by a qualified service person. Use 1.5 mm² solid conductor for wiring.*

▲ WARNING *Disconnect power at the service breaker before installing or servicing. NOT FOR HOUSEHOLD USE - MAY CAUSE BURNS. " IMPROPRE A L'USAGE DOMESTIQUE - PEUT OCCASIONNER."*

▲ DANGER *Failure to properly ground unit could result in severe electrical shock and/or death.*

▲ WARNING *All units must be supplied with a 3-wire service. The ground wire must be connected to the dryer's backplate.*

— **NOTE:** Do not install dryer over washbasin —

Type Y attachment

If the power supply cord is damaged, it must be replaced by the manufacturer or its service agent or a similar qualified person in order to avoid a hazard.

Means for disconnection must be incorporated in the fixed wiring in accordance with the wiring rules.

Installation

1. Make sure power supply breaker is switched off. Installation must be carried out in accordance with the current edition of the local wiring regulations code having jurisdiction. Installation should be performed only by a qualified electrician.
2. Place template against wall at desired height (see mounting height recommendations) and mark locations of 4 mounting holes and wire service entry at knockout (KO) location.
Note: For two or more dryers, dryers should be no closer than 24 inches (610 mm) on center.
3. Remove and retain 2 cover screws and cover.
4. Connect supply wires to terminal block where indicated and connect ground wire to base plate with ground screw

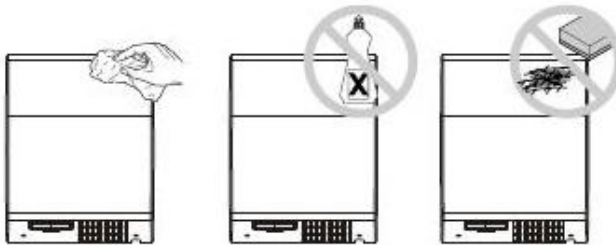
Connections:

- A. Connect the live wire (colored red or black) to the terminal block marked "L".
 - B. Connect the neutral wire (colored white or blue) to the terminal block marked "N".
 - C. Connect the ground wire (colored green or green and yellow) to the green screw marked "G").
- Note** that colors of live and neutral wires depend on voltage of supply service.
5. Replace cover. Do not over-tighten screws.

Cleaning and Maintenance

Periodic cleaning of the unit is recommended to ensure optimum performance.

- Disconnect the electrical supply.
- Remove the two cover-mounting screws.
- Remove the cover.
- Clean all dust lint from the interior of the dryer.
- Wipe the cover with a damp cloth and mild cleaning solution. Do not Soak, Never use abrasives to clean the cover.
- Replace the cover. Do not over tighten the screws.



Operation

- No-touch operation
- Shake excess water from hands.
- Place hands under the outlet to start operation.
- Rub hands lightly and rapidly.
- Stops automatically after hands are removed.

The photographs and line drawings of the products presented above are representational only.
Metlam Australia Pty Ltd reserves the right to, and from time to time, make changes and improvements in design and dimensions.



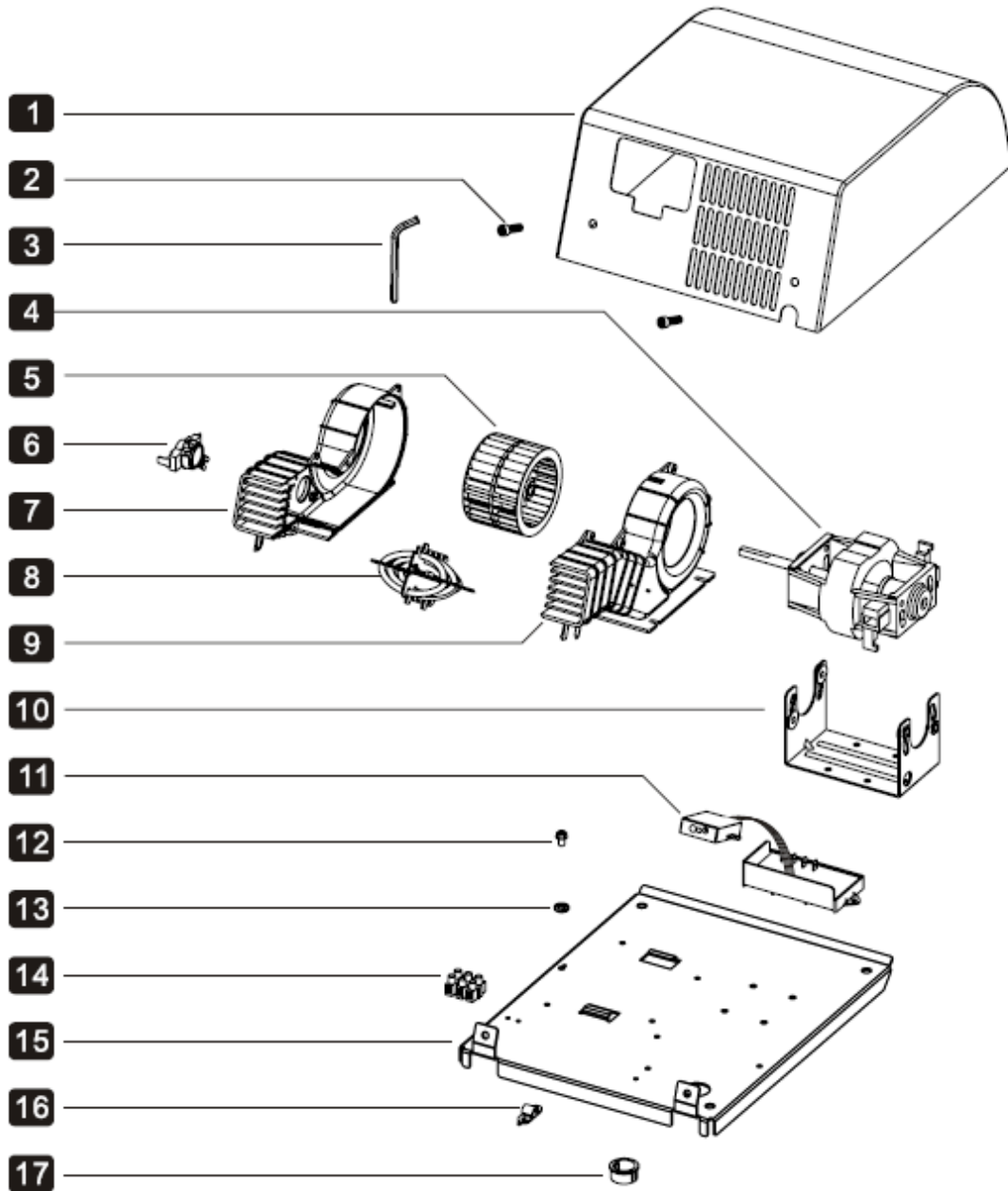
Recommended Mounting Heights

- From bottom edge of dryer above finished floor (AFF)

Men:	1200mm
Women:	1200mm
Children 4-7 Years:	850mm
Children 8-10 Years:	950mm
Children 11-13 Years:	1050mm
Children 14-16 Years:	1150mm

Accessible Compliant: Where provided, hand dryers shall be installed with the height of their operative component or outlet not less than 900mm and not more than 1100mm above the plane of the finished floor, and no closer than 500mm from an internal corner. (Refer- AS1428.1-2009, Clause 15.4.)

Diagram



The photographs and line drawings of the products presented above are representational only.
Metlam Australia Pty Ltd reserves the right to, and from time to time, make changes and improvements in design and dimensions.

Repair parts list

Reference Number	Description	Part #	Qty.
1	Enclosure		1
	Bright Finished - Stainless Steel #4	C39-0002	
	Satin Finished - Stainless Steel #4	C39-0003	
2	Security Hex Screw	D01-007	2
3	Security Hex Wrench	D01-003	1
4	Brush Motor		1
	Motor - 120VAC	E16-0001	
	Motor - 240VAC	E16-0002	
5	Blower	C16-0001	1
6	Thermostat	E66-0001	1
7	Blower Housing A	A11-0012	1
8	Heater Element		1
	2100W@120VAC	T29-0015	
	2100W@240VAC	T29-0005	
9	Blower Housing B	A11-0013	1
10	Motor Bracket Assembly	T66-0001	1
11	Sensor Module + Circuit Board Module		1
	C.B.M@120VAC	F21-0007	
	C.B.M@240VAC	F21-0008	
12	Grounding Screw	D01-002	1
13	Grounding Washer	C01-003	1
14	Terminal Block	F01-005	1
15	Base Plate	C19-0034	1
16	Cable Clamp	A16-0004	1
17	Nylon Bushing	A16-0002	1

Warranty

The product warranty is 5 years (3 years Parts and Labour plus 2 years parts only) from the date of purchase. For more information, please see Metlam Australia's Warranty Statement: <https://www.metlam.com.au/service-support>

For Service related enquiries email: service@metlam.com.au

The technical recommendations contained in this document are necessarily of a general nature and should not be relied on for specific applications without first securing competent advice. Whilst Metlam Australia Pty Ltd has taken all reasonable steps to ensure the information contained herein is accurate and current, it does not warrant the accuracy or completeness of the information and does not accept liability for errors or omissions. Any Commercial product should only be installed by a competent tradesperson and serviced/maintained by knowledgeable janitorial staff or competent people. Metlam Australia accepts no responsibility for any damage to product, walls or fixtures due to incorrect installation or maintenance of any of their products.

The photographs and line drawings of the products presented above are representational only.

Metlam Australia Pty Ltd reserves the right to, and from time to time, make changes and improvements in design and dimensions.