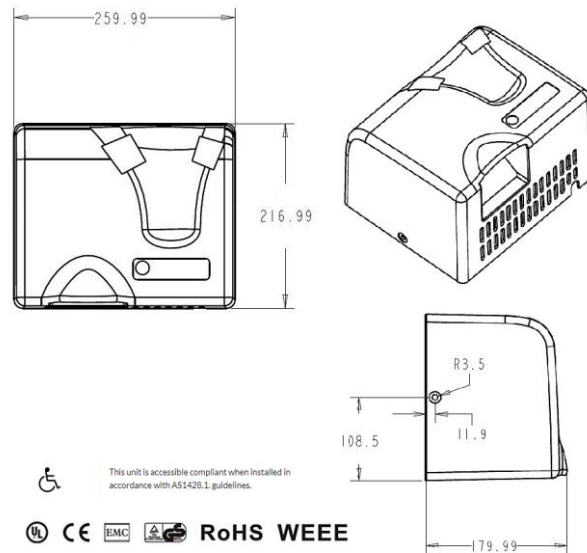


## ML\_1800\_WHT AUTO OPERATION HAND DRYER OPERATING MANUAL



### TECHNICAL SPECIFICATIONS

<b>Description:</b>	Automatic Operation Hand Dryer
<b>Casing:</b>	3.0mm White High Grade Fire Retardant ABS
<b>Brushless Motor:</b>	1/8HP, 80W, 2850 R.P.M (50Hz), 3150 R.P.M (60Hz) Designed with 105°C thermostat
<b>Heater Assembly:</b>	Designed with 87°C thermostat 1400-1700W Designed with 141°C thermal cut off
<b>Dryer shall deliver:</b>	150 CFM (255m <sup>3</sup> /h)
<b>Air Speed</b>	36.9mi/hr (16.5m/s). –60Hz 32.4mi/hr (14.5m/s)—50Hz
<b>Air Output Temperature</b>	58°C. Ambient Temp 20°C
<b>Sound Level</b>	55±3 Db
<b>Drying Time</b>	30 – 35 seconds
<b>Adjustable Distance Sensor</b>	51mm to 330mm
<b>Power Cut Off</b>	60 seconds
<b>Drip Proof</b>	IPX1
<b>Isolation</b>	Class 1
<b>Weight</b>	3.5kg Net Weight / 3.8kg Shipping Weight
<b>Note:</b>	This unit is accessible compliant when installed in accordance with AS1428.1. guidelines.

The photographs and line drawings of the products presented above are representational only.  
 Metlam Australia Pty Ltd reserves the right to, and from time to time, make changes and improvements in design and dimensions.

## Operating Instructions and Parts Manual

# Hand Dryers

### General safety information

**⚠ WARNING** Disconnect power before installation or servicing.

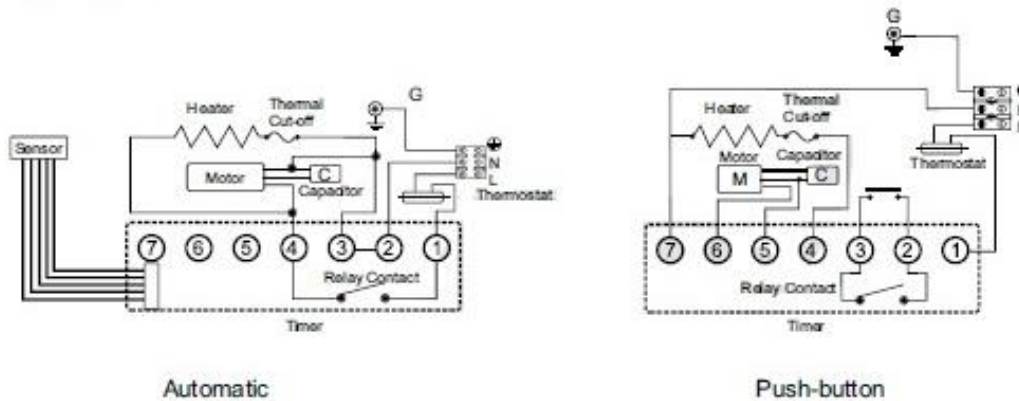
**⚠ WARNING** This product intended for installation by a qualified service person. Use AWG NO. 12 solid conductor for wiring.

**⚠ WARNING** All units must be supplied with a 3-wire service. The ground wire must be connected to the dryer's backplate.

**⚠ DANGER** Failure to properly ground unit could result in severe electrical shock and/or death.

NOTE: Do not install dryer over washbasin.

### Wiring Diagrams



### Installation

1. Fix the position card on the wall.  
Suitable height for hole "D" is 50" (127 cm) from ground.
2. Drill 4 holes  
(A, B, C, D. 5/16" (8 mm) diameter: 3/8" (35 mm) depth.)
3. Take off the mounting instruction sheet.  
Hammer dowels into 4 holes.
4. Remove the housing from the base plate; fix the base plate firmly on to the wall.
5. Connections:
  - A. Connect the live wire (colored red or brown) to the terminal block marked "L".
  - B. Connect the neutral wire (colored black or blue) to the terminal block marked "N".
  - C. Connect the ground wire (colored green and yellow) to the green screw marked "⊕".
6. Attach housing back to base plate.

The photographs and line drawings of the products presented above are representational only. Metlam Australia Pty Ltd reserves the right to, and from time to time, make changes and improvements in design and dimensions.

### Operation

Shake excess water from hands.  
Place hands under the outlet to start operation.  
Rub hands lightly and rapidly.  
Stops automatically when hands are removed.

### Maintenance

Easy to maintain. If the surface is dirty or dusty just wipe to clean.



ML\_1800

### Recommended Mounting Heights

- From bottom edge of dryer above finished floor (AFF)

<b>Men:</b>	1200mm
<b>Women:</b>	1200mm
<b>Children 4-7 Years:</b>	850mm
<b>Children 8-10 Years:</b>	950mm
<b>Children 11-13 Years:</b>	1050mm
<b>Children 14-16 Years:</b>	1150mm

**Accessible Compliant:** Where provided, hand dryers shall be installed with the height of their operative component or outlet not less than 900mm and not more than 1100mm above the plane of the finished floor, and no closer than 500mm from an internal corner.

W: [www.metlam.com.au](http://www.metlam.com.au) T: 1300 METLAM E: [sales@metlam.com.au](mailto:sales@metlam.com.au)

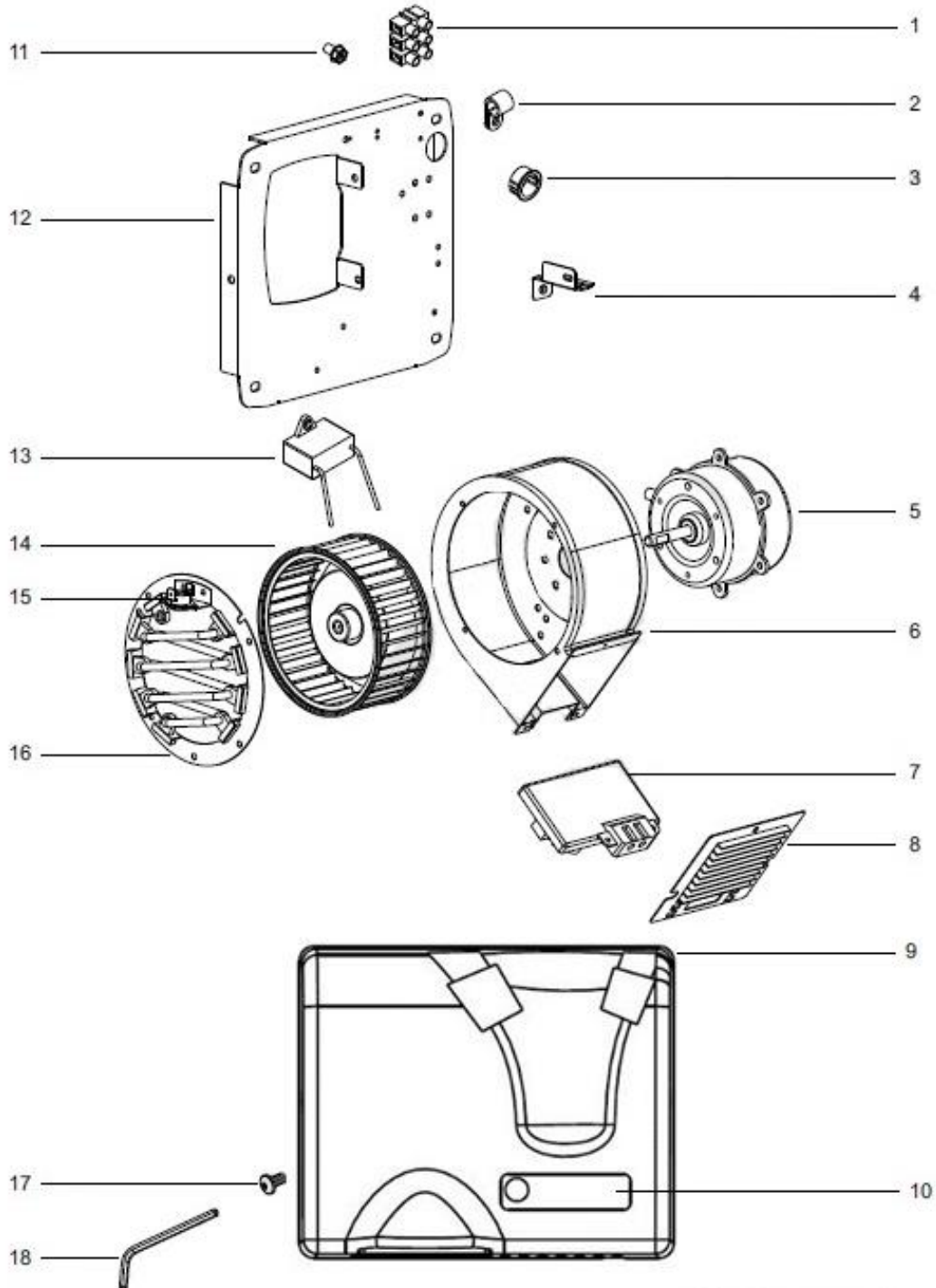
## Troubleshooting Chart

Symptom	Corrective Action
Blower motor stops running	Turn off power to the dryer at electrical panel. Remove cover. Check all wiring connections from terminal board to the motor. Check blower wheel and spin to make sure it rotates freely: Look for objects blocking the free movement. Replace cover and turn on power to the hand dryer. If motor fails to start, have a qualified electrician check the Push-On-Switch, thermostat, motor and capacitor for proper operation. Replace if necessary.
Dryer blows cold air	Turn off power to the dryer at the electrical panel. Remove cover. Check all wiring connections to make sure all terminals are firmly mounted in place and the wire insulation is in good condition. Have a qualified electrician check the thermal cut off and heating element. Replace cover, turn on power to the hand dryer. If dryer continues to blow cold air, replace defective thermal cut off and/or heating element.
Dryer does not respond to hand movement	Make sure power is on and available to the unit. Place hands under sensor. A clicking sound indicates sensor is functioning properly. No clicking sound would indicate a bad sensor and/or contactor. Replace if necessary.
Dryer will not shut off or will not run for a complete cycle	Replace timer assembly

The photographs and line drawings of the products presented above are representational only.  
 Metlam Australia Pty Ltd reserves the right to, and from time to time, make changes and improvements in design and dimensions.

Operating Instructions and Parts Manual

## Hand Dryers



**Automatic**

The photographs and line drawings of the products presented above are representational only.  
 Metlam Australia Pty Ltd reserves the right to, and from time to time, make changes and improvements in design and dimensions.

### Repair parts list

Reference Number	Part #	Description
1	F0801-0003	Terminal block
2	A0101-0022	Nylon hole bushing
3	A0101-0020	Cable clamp
4	C0103-0001	Motor mounting bracket
5	E0101-0012	Motor 110-120Vac
	E0101-0016	Motor 220-240Vac
6	C0101-0001	Blower housing
7	F0203-0001	Timer assembly 110-120Vac
	F0203-0002	Timer assembly 220-240Vac
8	C0101-0021	Air outlet guard
9	A0103-0001	Enclosure
10	K0103-0001	Nameplate
11	D0101-0008	Grounding screw
12	C0103-0013	Base plate
13	F0403-0001	Capacitor 110-120Vac
	F0401-0005	Capacitor 220-240Vac
14	C0101-0003	Fan
15	E0603-0001	Thermostat
16	T0203-0008	Heating element assembly 110-120Vac
	T0203-0009	Heating element assembly 220-240Vac
17	D0103-0002	Security hex screw
18	C0101-0031	Security hex wrench

### Warranty

The product warranty is 5 years (3 years Parts and Labour plus 2 years parts only) from the date of purchase. For more information, please contact Metlam Australia for a copy of our warranty statement.

For service-related enquiries please email [service@metlam.com.au](mailto:service@metlam.com.au)

The technical recommendations contained in this document are necessarily of a general nature and should not be relied on for specific applications without first securing competent advice. Whilst Metlam Australia Pty Ltd has taken all reasonable steps to ensure the information contained herein is accurate and current, it does not warrant the accuracy or completeness of the information and does not accept liability for errors or omissions. Any Commercial product should only be installed by a competent tradesperson and serviced/maintained by knowledgeable janitorial staff or competent people. Metlam Australia accepts no responsibility for any damage to product, walls or fixtures due to incorrect installation or maintenance of any of their products.

The photographs and line drawings of the products presented above are representational only.  
Metlam Australia Pty Ltd reserves the right to, and from time to time, make changes and improvements in design and dimensions.