



10-0199-2-00



10-0199-2-41



10-0199-2-93

### FEATURES

High speed and compact at only 102mm deep. Designed for confined spaces. Operates automatically using infrared sensor. Auto-resetting thermostat, owner adjustable air speed and air temperature, on/off heating options. Dryer automatically shuts off after time-out when user removes hands from sensor zone.

### INSTALLATION

Surface mount unit on wall with four (4) 1/4" washers and screws or bolts (supplied) through holes (provided) in a corrosion protected steel back plate into suitable prepared mountings (by others) or other suitable mounting hardware (by others) to suit wall conditions. Electrical service is supplied and connected (by others) prior to installing cover. Cover is secured to back plate with recessed, pin-hex pan head cap screws (supplied) opened with security wrench (supplied). Can be direct wired by an electrician. Mounting Template and Installation Guide (MT & IG) is supplied with unit.

### OPERATION

Activate dryer by placing hands under sensor. Dryer automatically shuts off after user removes hands from sensor zone. Complete OM and MT-IG are supplied with unit for future reference of Installation Requirements, Operating Conditions and Service.

### SPECIFICATION

- Electrical Supply: AC, 220–240V 50/60Hz, 1000 Watt, 3-4A
- Motor: 500 Watt, Brush Type, Dual Ball Bearings
- RPM: 22,000 - 29,000 (adjustable)
- Element: 275-500 Watt (adjustable)
- Air Speed: 199 – 296 km/hr (adjustable)
- Noise Level: 60.5 – 67.2 dB-A @2M
- Drying Time: Approx. 15 seconds
- Weight: 3.8kg (Shipping 4.2kg)
- Electrical Safety Requirements: AS/NZS 60335.2.23:2004
- Protection Category: IP24

### COVER & COLOUR OPTIONS


Unit is supplied in various finishes. Specify finish option White, Matte Black or Satin Stainless Steel by adding appropriate code number suffix:

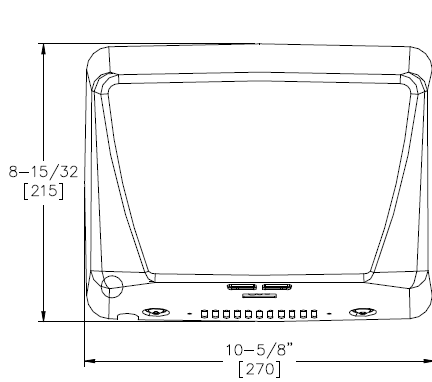
MODEL	COVER TYPE	FINISH
10-0199-2-00	18 gauge (1.2mm thick) drawn steel	White powder coat
10-0199-2-41	18 gauge (1.2mm thick) drawn steel	Matte Black powder coat
10-0199-2-93	18 gauge (1.2mm thick) 304 series stainless steel	Satin

### WARRANTY

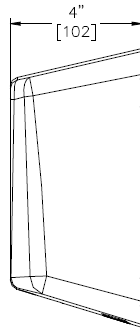
5 years (first year parts & labour, remaining 4 years parts only). Please refer to our website to view our full warranty statement: [www.asijdmacdonald.com.au](http://www.asijdmacdonald.com.au)

**Turbo-Slim High-Speed Hand Dryer** shall be Model No. 10-0199-2-xx as manufactured by ASI JD MacDonald.

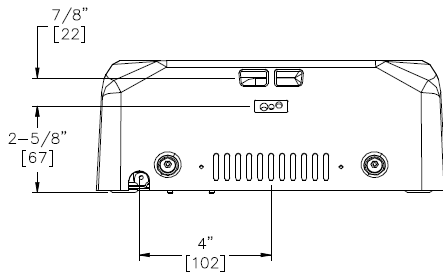
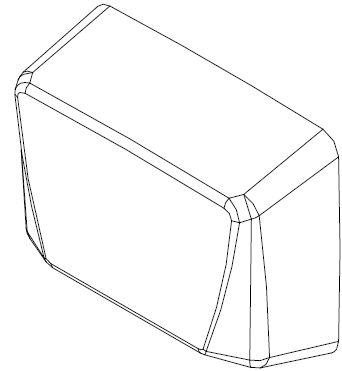
 All ASI JD MacDonald disabled compliant products, when installed, must be in accordance with AS1428 to ensure the specified product is complying with all washroom specification requirements.



FRONT VIEW

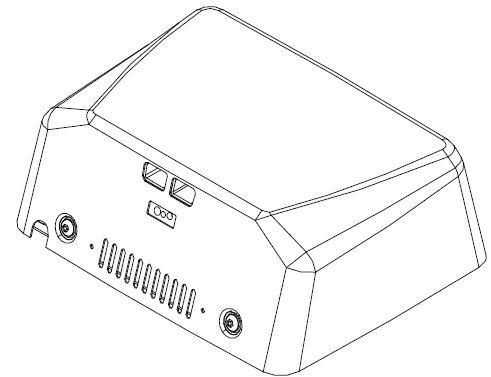


SIDE VIEW



BOTTOM VIEW

NOTE:  
 ALL DIM'S  
 INCH [MM]



RECOMMENDED INSTALLATION HEIGHTS*	
Men's washroom	1270mm
Women's washroom	1194mm
Children's washroom ages 4-7	889mm
Children's washroom ages 8-10	991mm
Children's washroom ages 11-13	1092mm
Children's washroom ages 14-16	1194mm
Accessible Compliant washroom	1016mm

\*From bottom edge of dryer above finished floor (AFF)