



OPERATION

Paper towels are manually withdrawn through dispensing slot and feed properly until depleted. Unit will continue to feed towels properly when correctly reloaded with a partial load in place. User activates dryer by placing hands in the sensor zone indicated by graphic on door. Drying time is automatically initiated as long as movement is sensed up to a maximum of two (2) minutes to prevent accidental hold-on. Dryer automatically shuts off after time-out when hands are removed from the sensor zone. Refill dispenser by opening door and replacing towels for an empty or partially empty unit. Dispenser supply is replenished and waste container is emptied manually on cycles determined by maintenance needs. Full cover and spring-hinge flap door on WR prevents unsightly overloads.

WARRANTY

One year on cabinet, 5 years on hand dryer (first year parts & labour, remaining 4 years parts only). Please refer to our website to view our full warranty statement: www.asijdmacdonald.com.au

SPECIFICATION

Piatto™ Collection Three-in-One Paper Towel Dispenser with Waste Receptacle and Automatic Electric Hand Dryer shall hold and dispense 500 standard multi-fold or 400 standard C-fold paper towels, and shall have a waste capacity of 26 litres. Frame and cabinet shall be 20 gage type 304 alloy 18-8 stainless steel and shall have no exposed fastening devices. Towel dispensing slot shall have a fully hemmed-in rolled edge for snag-free dispensing and user safety. Waste receptacle shall have piano-hinge mounted closed top with spring-hinge closed flap door and hemmed edges for safety. Flush face door shall be 13mm thick black edged Phenolic with matte black or white outer and inner surfaces as chosen by tail code on model number. Door shall be attached to the side of cabinet with four (4) zero-clearance concealed cabinet hinges and shall be held closed with a spring-pin L-latch. Structural assembly of all components shall be of welded construction. OM & IG shall be packed with unit. Installation set-back gage and depth stops shall be provided.

OPTIONS

10-64672-2-00 White finish
10-64672-2-41 Matte Black finish

INSTALLATION

Mount unit in wall recess using six (6) № 10 x 1-1/2" [M5 x 38] self tapping Pan Head screws (by others) through concealed mounting holes provided in Shim-less adjustable mounting tabs. See IG diagram for electrical service cable rough-in location. Electric service is supplied and connected (by others) prior to installing cover and brought to FWO at location indicated on diagram and is hooked up (by others) in accordance with schematic and OM & IG provided with unit. Dryer is mounted to chassis wiring box with four (4) 1/4-20 pan head screws (provided) through bushings in heavy-duty back plate. Electrical service is connected (by Electrician) prior to installing cover. Cover is secured to back plate with recessed socket-pan-head tamper-resistant pin-hex bolts (supplied) with security pin-hex driver (supplied). See OM & IG for complete installation instructions packed with unit. For mounting height standards refer to current Building Code of Australia for able bodied and/or disabled use.

FINISHED WALL OPENING (FWO) required is:

392mm W x 1408mm H x 194mm D minimum

ELECTRICAL SPECIFICATION

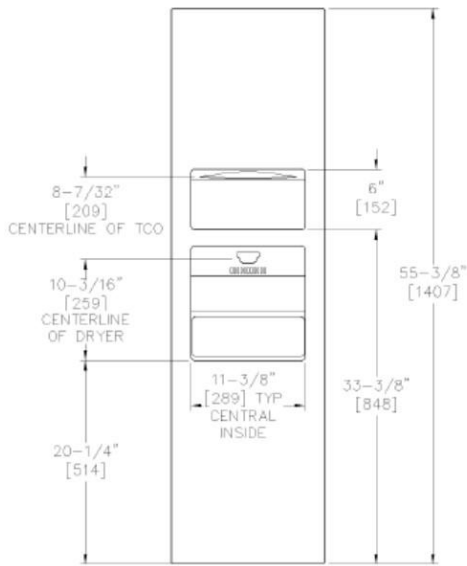
- Electrical Supply: AC, 220–240V 50/60Hz, 1000 Watt, 3-4A
- Motor: 500 Watt, Brush Type, Dual Ball Bearings
- RPM: 22,000 - 29,000 (adjustable)
- Element: 275-500 Watt (adjustable)
- Air Speed: 199 – 296 km/hr (adjustable)
- Noise Level: 60.5 – 67.2 dB-A @2M
- Drying Time: Approx. 15 seconds
- Electrical Safety Requirements: AS/NZS 60335.2.23:2004
- Protection Category: IP24

Piatto™ Collection Turbo 3in1 shall be Model No. 10-64672-2-XX (replace -XX with -00 for White or -41 for Matte Black) as manufactured by ASI JD MacDonald.

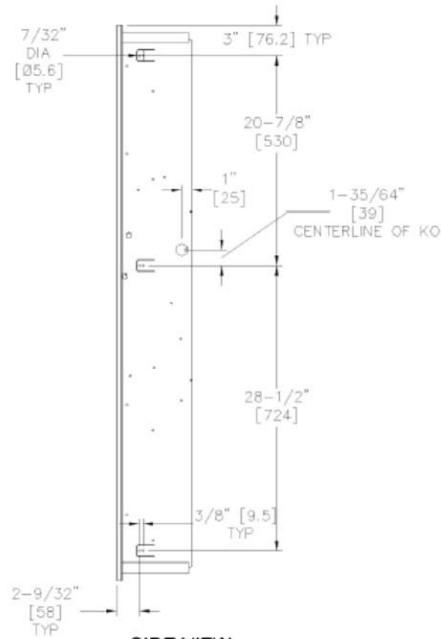


All ASI JD MacDonald accessible compliant products when installed must be in accordance with AS1428 to ensure the specified product is complying with all washroom specification requirements.

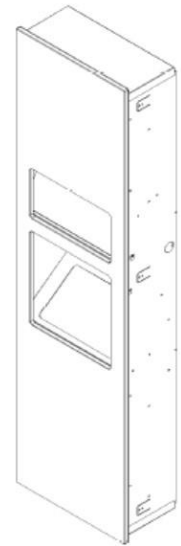
Piatto™ Collection
Turbo 3 in 1
Model No. 10-64672-2-XX



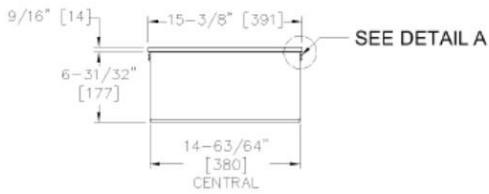
FRONT VIEW



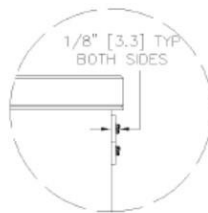
SIDE VIEW



ISOMETRIC



BOTTOM VIEW



DETAIL A

NOTE
ALL DIM'S INCH [MM]

ASI JD MacDonald reserves the right to, and does from time to time, make changes and improvements in design and dimensions. The photographs and line drawings of the products in this flyer are representational only. All dimensions are in millimetres unless otherwise stated.