

PRODUCT
CATALOGUE
2017



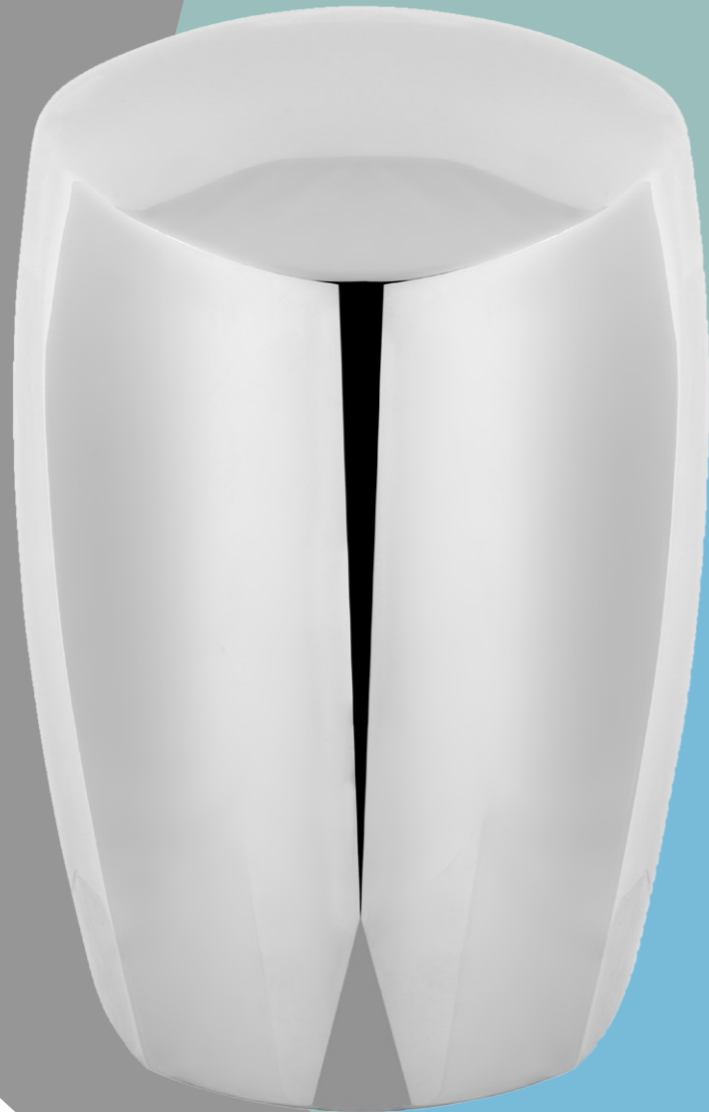
Dryer Guide and Contents

At Intelligent Facility Solutions, we're well known for our superb-performing, quick drying, energy-efficient and long-lasting hand dryers. We provide the most comprehensive range of hand dryers available, so no matter what your hand dryer requirements are, you can be certain we'll have the right solution for you.

We've put together the following guide to help you choose the right product. If you need any assistance please do not hesitate to contact one of our experts, who we have no doubt will find the right hand dryer for you.

Product name		DryFlow Executive	G-Force Junior	Turboforce Junior	EcoForce	JetDri	Ecoforce PLUS	G-Force Eco	G-Force Eco with heat	G-Force Turbo
Dryer type	Hands-under style	●	●	●	●	●	●	●	●	●
	Hands-in 'blade' style									
Guarantee	Length of guarantee	2 years	2 years	2 years	2 years	2 years	3 years	3 years	3 years	3 years
Power	Rated power (kW)	1.85	0.9	0.5 - 1.15	0.5 - 1.25	0.55 - 1.4	0.8	0.55	1.1	1.1
Strengths	Low/Med/High Speed	Low	Med	High	Med	High	Med	Med	High	High
	Energy efficient		●	●	●	●	●	●	●	●
	Quiet in use	●	●		●			●	●	
	Enhanced hygienic properties									●
	Long life	●	●				●	●	●	●
	Vandalproof			●	●	●	●			
Finishes Available	White	●	●		●	●	●	●	●	●
	Brushed satin			●		●	●	●	●	●
	Polished chrome		●		●		●	●	●	●
	Black									
	Silver									
	Cover made from ABS	●	●				●	●	●	●
	Cover made from steel / aluminium			●	●	●	●	●	●	●
Usage	Maximum washroom traffic (uses per day)	>300	100	100	100	100	300	300	300	300
Page	For full details see page	6	8	10	12	14	16	18	20	22

Dryforce PLUS	Dryflow Classic PLUS	Dryflow Classic Plus MkII	DryFlow Elite	DryFlow Elite MkII	Turboforce	eXtremeAir GXT	eXtremeAir CPC	StealthForce	JetForce	StealthForce PLUS	D-Flow
●	●	●	●	●	●	●	●	●			
									●	●	●
2 years	5 years	5 years	5 years	5 years	5 years	5 years	5 years	5 years	5 years	5 years	3 years
0.55 - 1.35	1.4	1.4	1.7	1	0.35 - 1.6	0.3 - 1.5	0.3 - 1.5	0.24 - 0.7	0.75 - 1.65	0.75 - 1.65	0.42 - 1.1
Med	Med	Med	Med	Med	High	High	High	High	High	High	High
●	●				●	●	●	●	●	●	●
●	●	●	●	●		●	●	●	●	●	●
							●	●		●	●
●	●	●	●	●	●	●	●	●	●	●	●
	●	●	●	●	●	●	●				
●								●	●	●	●
●								●	●	●	●
	●	●	●	●	●	●	●				
300	>500	>500	>500	>500	500	>500	>500	500	>500	>500	300 - 500
24	26	28	30	32	34	36	38	40	44	46	48



Hands under type hand dryers are the traditional model of hand dryer. They can be situated at heights to suit different types of user and are ideal when space is limited. They also tend to be cheaper than the blade style hand dryers, however are still very high performing and energy efficient.

Dryflow Executive

WHITE
ABS
DF10

WASHROOM TRAFFIC

Suitable for all locations up to medium traffic (>300).

SUITABILITY

Libraries, toilets near meeting rooms/quiet working areas

PRODUCT DESCRIPTION

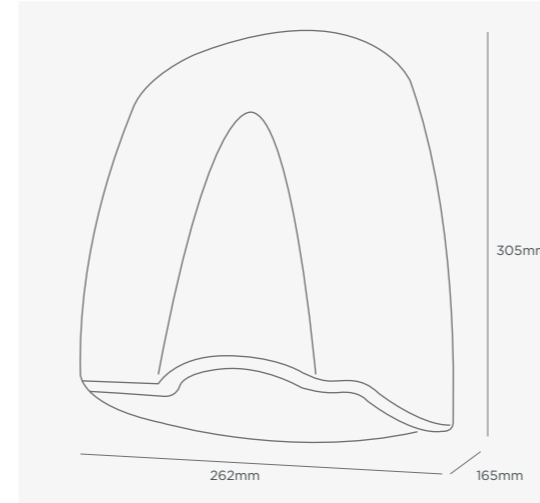
It is important to stress the Dryflow executive is not a fast dryer, it is a quiet warm air dryer at an affordable price with a designer cover that is appropriate for very particular environments. We recommend this for bathrooms close to offices, meeting rooms etc where there has been an issue in the past with noise transfer. The long-life, magnetic brushless motor make this a low maintenance dryer with the potential to give many years of service.



TECHNICAL DESCRIPTION

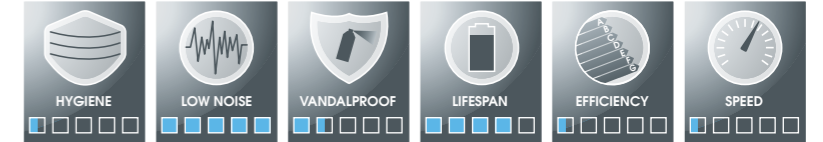
The Dryflow executive has a white ABS cover with black toughened Nylon back plate and underside. The motor is a contactless brushless type providing long, service free life. Motor rotates at limited 3000rpm producing low speed heated airflow and reduced level noise output under 60 dBA.

DIMENSIONS



RECOMMENDED INSTALLATION HEIGHTS (from the floor to the air outlet)

Men	1170mm
Women	1120mm
Children aged 4-7	810mm
Children aged 7-10	910mm
Children aged 10-13	1020mm
Children aged 13-17	1120mm
Disabled	940mm



TECHNICAL SPECIFICATION

Input voltage:	Universal voltage 230-240 V 50/60Hz
Rated power:	1.85 kw
Dry time:	30+ seconds
Energy per dry:	16-20 watts
Motor type:	Brushless (60W)
Motor speed:	3000 rpm
Air speed:	50 mph
Air volume:	60 l/s
Operating sound level:	<60 db(A) @ 1 metre
Operating temp range:	
Heater element power:	1.785 kw
Standby power consumption:	< 2 watts
Motor cut off time:	30 seconds
Ip rating:	IPX2
Motor class:	Class II
Sensor type:	dual IR
Materials:	ABS
Finishes available:	White
Guarantee:	2 years
Net weight:	3 kg
Packed weight:	4.5 kg
Product dimensions :	H305 x W262 x D165 mm
Packaging dimensions :	
Certification:	CE

G-Force Junior

POLISHED
CHROME
GFJ01PC

WHITE
GFJ01W

WASHROOM TRAFFIC

All locations from low (<50) to light use (100) dries per day.

SUITABILITY

Ideal for areas where space is at a premium but high performance and energy efficiency is needed.

PRODUCT DESCRIPTION

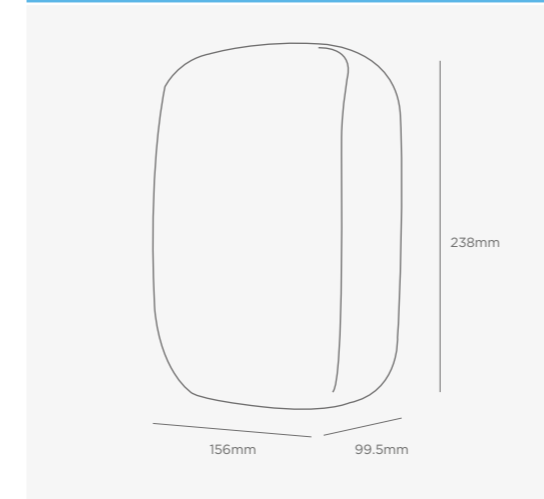
The G-force Junior is the most compact dryer in its class. To put it into perspective it is less than half the width of a piece of A4 paper and less than 10cm deep making it ADA compliant. The high rpm motor, concentrated air outlet and low consumption heater element combine to create a jet of warm air which provides 15-20 second dry times. Additional HEPA air filtration also available to enhance hygiene levels. This is a budget priced, EU produced hand dryer which is low cost to run and has the performance and features far more expensive models.



TECHNICAL DESCRIPTION

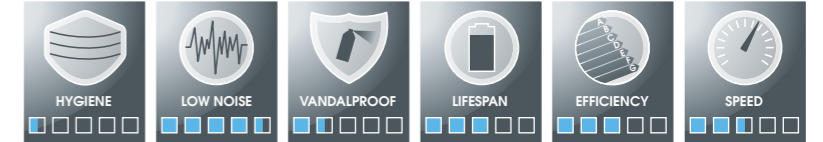
Single, compressed flow air outlet. Universal brush motor rated at 400w operating at 28,000 rpm produces a 155 mph or 70m/s airflow, warmed by a 500w absorption heater. Impact resistant ABS white cover with black nylon back plate and under carriage. Infra-red sensor with automatic hand detection and adjustable range. Expected universal brush life of 500 hours and motor life of 1000 continuous hours. Optional HEPA filter traps 99.97% of particles greater than 0.3 microns.

DIMENSIONS



RECOMMENDED INSTALLATION HEIGHTS (from the floor to the air outlet)

Men	1170mm
Women	1120mm
Children aged 4-7	810mm
Children aged 7-10	910mm
Children aged 10-13	1020mm
Children aged 13-17	1120mm
Disabled	940mm



TECHNICAL SPECIFICATION

Input voltage:	220-240 V 50/60Hz
Rated power:	0.9kw
Dry time:	21 seconds
Energy per dry:	5.25 watts
Motor type:	Universal brush
Motor speed:	28000 rpm
Air speed:	155mph or 70m/s
Air volume:	110 cbm @ 31 L/S
Operating sound level:	70dB @ 2 metres
Operating temp range:	135° F at 72° F room temperature
Heater element power:	500W
Standby power consumption:	not specified
Motor cut off time:	35 seconds
Ip rating:	IP23
Motor class:	Class II
Sensor type:	IR
Materials:	ABS
Finishes available:	White or polished chrome
Guarantee:	2 years
Net weight:	1kg
Packed weight:	1.2Kg
Product dimensions :	H238 x W156 x D99.5mm
Packaging dimensions :	H255 x W185 x D120mm
Certification:	CE

TurboForce Junior

BRUSHED
STAINLESS
TFJ03

WASHROOM TRAFFIC

Low (<50) to light use (<100 dries per day)

SUITABILITY

Offices, restaurants, community centres and any facility within the usage recommendation.

PRODUCT DESCRIPTION

The Turboforce Junior is a fantastic budget hand dryer which delivers high performance and energy efficiency. The Turboforce Junior simultaneously blasts and evaporates the water using a highly concentrated airflow and intelligent sensor technology to ensure the airflow remains warm but the minimum energy possible is required. Dry times are between 12-18 seconds depending on environmental conditions.

Many energy efficient hand dryers can be uncomfortable for the user when the room air temperature drops, the dryer is not in regular use or the hand washing water is cold. The Turboforce Junior automatically senses the air temperature and intelligently maintains it to a comfortable level without using unnecessary energy.

The budget price is not reflective of the performance and specifications but of the expected brush and motor life between 500-600 hours of continuous use delivering approximately 112,000 to 160,000 drying cycles, therefore making it suitable for up to 100 uses per day.**

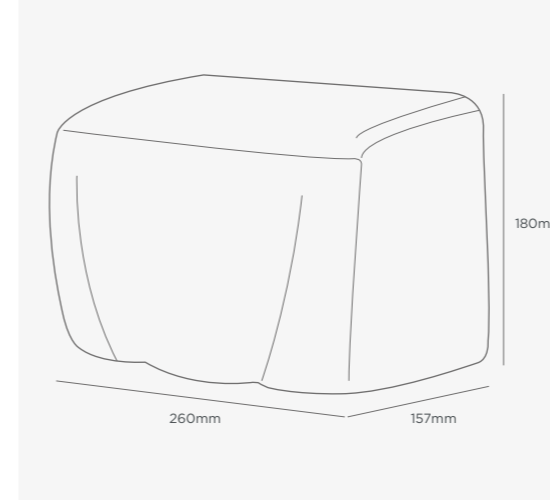
The compact size make it perfect for washrooms with limited space.



TECHNICAL DESCRIPTION

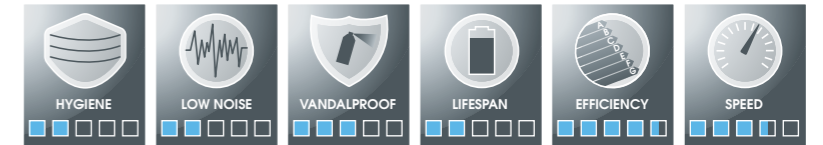
AISI 304 stainless steel cover with brushed satin finish, motor housing and back plate is made from flame resistant ABS. Intelligent, energy saving heat system activates when air temperature falls below 24°C to sustain range up to 40°C. A high speed, universal brush motor rotates at 20,000 rpm, producing 60m/s airspeed. Filter is fitted at internal air inlet and must be cleaned to maintain proper functioning.

DIMENSIONS



RECOMMENDED INSTALLATION HEIGHTS (from the floor to the air outlet)

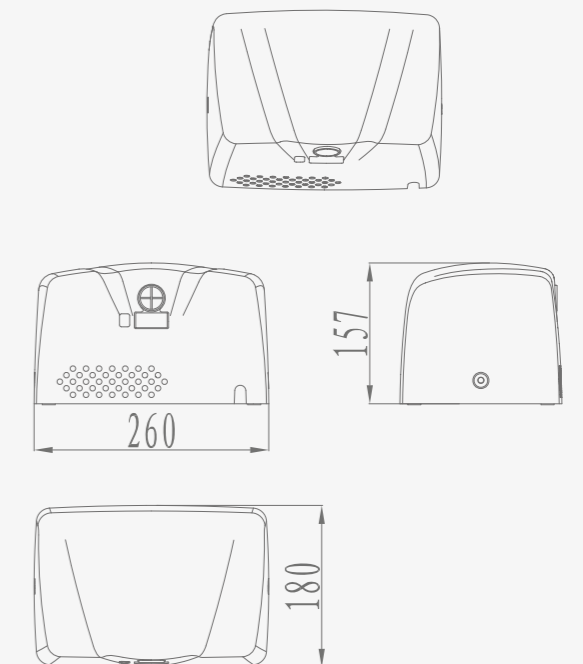
Men	1170mm
Women	1120mm
Children aged 4-7	810mm
Children aged 7-10	910mm
Children aged 10-13	1020mm
Children aged 13-17	1120mm
Disabled	940mm



TECHNICAL SPECIFICATION

Input voltage:	Universal voltage 230-240 V 50/60Hz
Rated power:	0.5kw to 1.15kw variable depending on ambient temperature of the room
Dry time:	15-20 seconds*
Energy per dry:	2.2 - 3.83 watts
Motor type:	Universal brush motor
Motor speed:	20000 rpm
Air speed:	60m/s
Air volume:	
Operating sound level:	79 dB(A)
Operating temp range:	24-40°C
Heater element power:	650W
Standby power consumption:	< 2 watt
Motor cut off time:	60 seconds
Ip rating:	IPX1
Motor class:	Class I
Sensor type:	IR
Materials:	Stainless steel
Finishes available:	AISI 304 brushed stainless, White steel on request
Guarantee:	2 years
Net weight:	4.5 kg (9.9 lbs)
Packed weight:	
Product dimensions :	H180 x W260 x D157 mm
Packaging dimensions :	H225 x W330 x D205 mm
Certification:	CE and ROHS

MEASUREMENT DETAILS



*Depending on ambient air temperature conditions.
**Based on 365 day usage, a well maintained unit would give 3-4 years of service at this level, this would be extended as the unit may not be used every day.

WASHROOM TRAFFIC

All locations from low (<50) to light use (100 dries per day).

SUITABILITY

Restaurants, pubs, offices and other locations looking for contemporary design and effective drying performance, but do not have high volume use.

PRODUCT DESCRIPTION

The Ecoforce is available in a white or polished chrome finish. It is one of the most stylish looking dryers available and offers high specification within a low cost dryer.

The dryer has multiple jets of concentrated airflow to give complete coverage of the hands and provide a fast and comfortable drying experience.

Many energy efficient hand dryers can be uncomfortable for the user when the room air temperature drops, the dryer is not in regular use or the hand washing water is cold. The Ecoforce has an optional heat or ambient air temperature setting, which overcomes this issue of discomfort. With heat the Ecoforce still has a low rated power of just 1.25kw and without heat it uses just 0.5kw

The Ecoforce has the added benefit of containing an ioniser to bring additional fresh air to the washroom. The budget price is reflective of the expected brush and motor life between 500-600 hours of continuous use delivering approximately 124,000 drying cycles therefore making it suitable for up to 100 uses per day*.

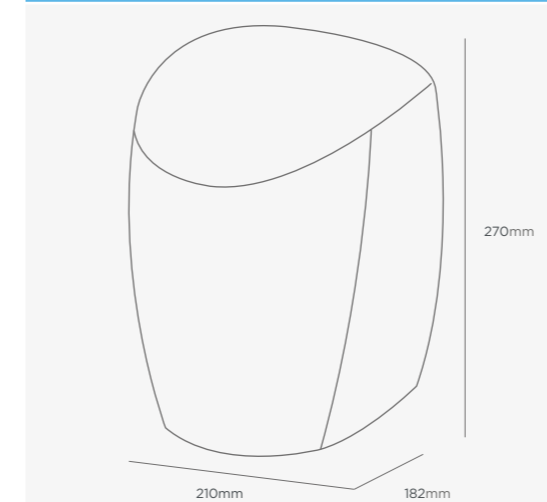


TECHNICAL DESCRIPTION

Available with a white or chrome plated die-cast aluminium cover with a V0 flame retardant polycarbonate underside and internal motor housing. The underside of the dryer has 3 rows (4/5/4) with a total of thirteen, compressed air jets and a concealed switch for activating the heater on/off function. Infra-red self-adjusting sensor provides automatic start once hands are detected. Security screws on underside and concealed fixing at the top of the dryer prevent access.

Universal brush motor rated at 500w, operating at 25,000 rpm produces a 80m/s airspeed delivering a 10-18 second dry time**. Service-free ioniser activates with the dryer operation to improve washroom air quality.

DIMENSIONS



RECOMMENDED INSTALLATION HEIGHTS (from the floor to the air outlet)

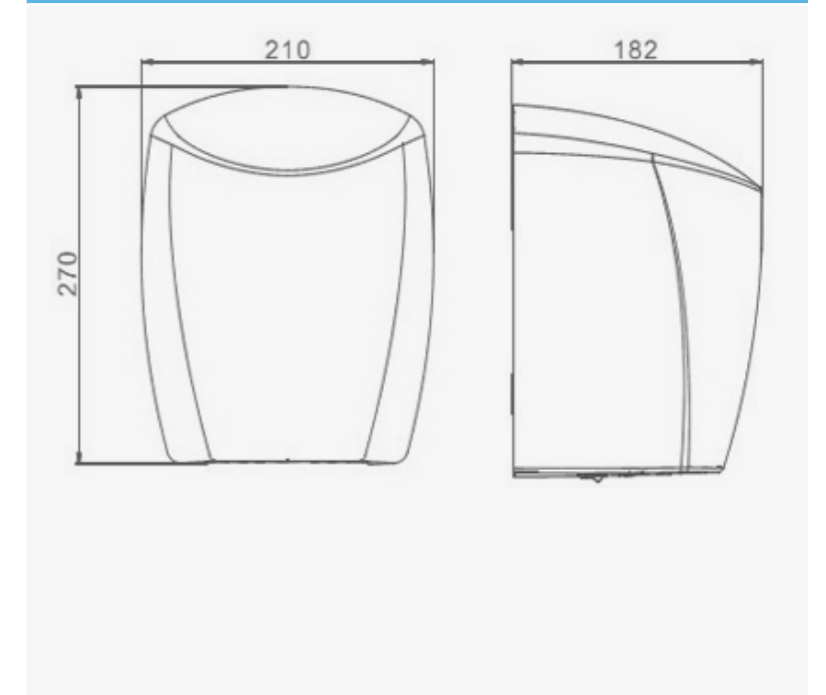
Men	1170mm
Women	1120mm
Children aged 4-7	810mm
Children aged 7-10	910mm
Children aged 10-13	1020mm
Children aged 13-17	1120mm
Disabled	940mm



TECHNICAL SPECIFICATION

Input voltage:	Universal voltage 230-240 V 50/60Hz
Rated power:	1.25 kw with heat/0.5kw without heat
Dry time:	21 seconds
Energy per dry:	2.92 – 7.29 Watts
Motor type:	Universal brush
Motor speed:	25,000 rpm
Air speed:	179mph/80 m/s
Air volume:	N/A
Operating sound level:	72 dB(A) @ 1 metres
Operating temp range:	113°F (40°C) – Ambient Temp. 68°F (20°C)
Heater element power:	750W
Standby power consumption:	1 - 1.3W
Motor cut off time:	35 seconds
Ip rating:	IPX1
Motor class:	Class I
Sensor type:	IR self-adjusting 120 mm + 30 mm
Materials:	Die-cast aluminium chrome-plated or white epoxy, V0 flame resistant motor casing and polycarbonate underside
Finishes available:	Chrome-plated or white epoxy
Guarantee:	2 years
Net weight:	4.5 kg (9.9 lbs)
Packed weight:	4.8Kg
Product dimensions :	H270 x W210 x D182
Packaging dimensions :	H526 x W505 x D340
Certification:	CE and ROHS

MEASUREMENT DETAILS



*This is based on exceeding the guarantee period by a reasonable length of time, please refer to the guide on page x for more information.
**Times will vary depending on environmental conditions and/or the setting of the dryer.

WASHROOM TRAFFIC

All locations from low (<50) to light use (100 dries per day).

SUITABILITY

Restaurants, pubs, offices and other locations looking for contemporary design and effective drying performance, but do not have high volume use. The dryer can cope with regular intense use but has limitations on the lifespan making it suitable for environments where the dryers will have up to 100 uses per day for a 5 day week*.

PRODUCT DESCRIPTION

The Jetdri is a high performance hand dryer in the budget price category. The dryer has a single concentrated airflow and intelligent heat operation to provide comfortable drying.

Many energy efficient hand dryers can be uncomfortable for the user when the room air temperature drops, the dryer is not in regular use or the hand washing water is cold. The Jetdri automatically senses the air temperature and intelligently maintains the temperature required without using unnecessary energy.

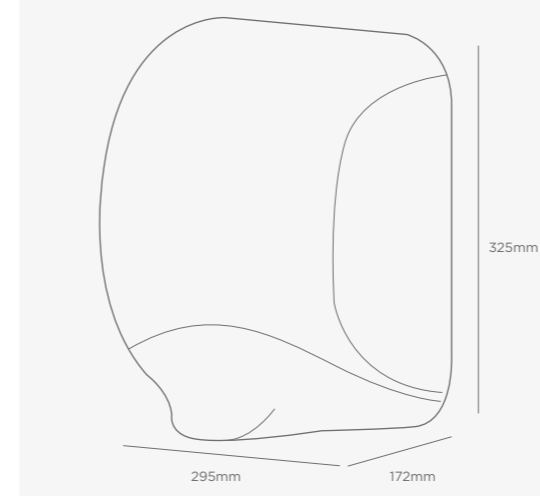
The budget price is reflective of the expected brush and motor life between 500-600 hours of continuous use delivering approximately 112,000 to 160,000 drying cycles therefore making it suitable for up to 100 uses per day.**



TECHNICAL DESCRIPTION

A single piece AISI 304 brushed stainless steel or white steel cover with a V0 flame retardant polycarbonate internal motor housing and ABS back plate. The underside has a single air outlet and multiple air inlet holes. Universal brush motor rated at 550w, operating at 20,000 rpm produces a 110m/s airspeed delivering a 10-18 second dry time**. The intelligent, energy saving heater element senses the ambient air temperature and responds to maintain the heat in a range between 24 and 40 degree C. The overall rated power will therefore range between 550 watts and 1400 watts depending on the ambient conditions.

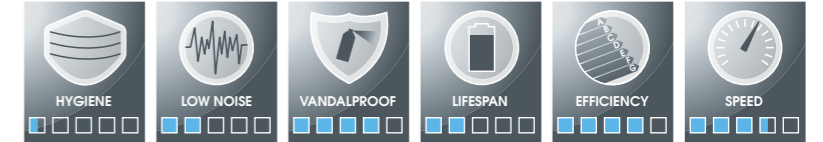
DIMENSIONS



RECOMMENDED INSTALLATION HEIGHTS (from the floor to the air outlet)

Men	1170mm
Women	1120mm
Children aged 4-7	810mm
Children aged 7-10	910mm
Children aged 10-13	1020mm
Children aged 13-17	1120mm
Disabled	940mm

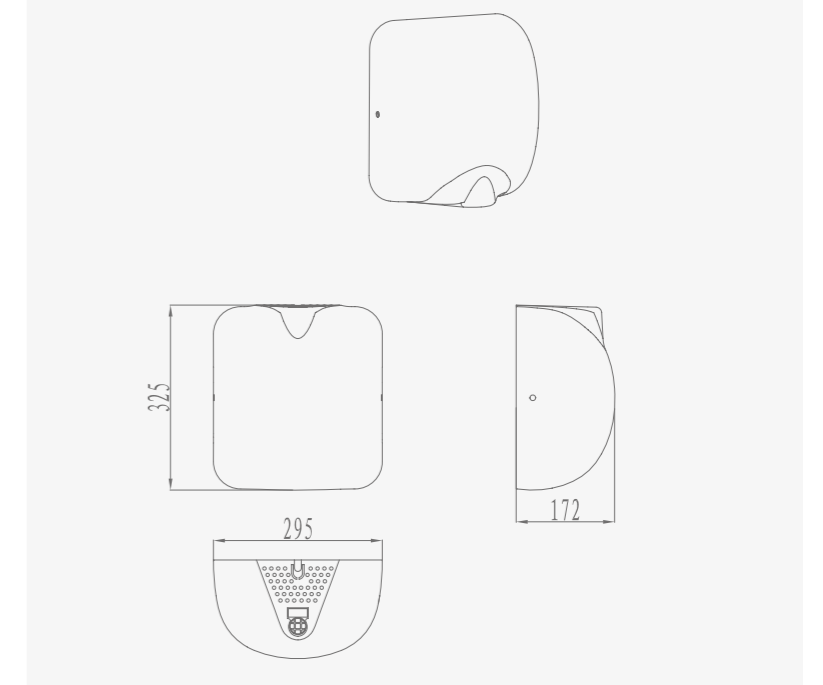
*This is based on exceeding the guarantee period by a reasonable length of time, please refer to the guide on page x for more information.
**Times will vary depending on environmental conditions and/or the setting of the dryer.



TECHNICAL SPECIFICATION

Input voltage:	Universal voltage 230-240 V 50/60Hz
Rated power:	0.55kw to 1.4kw intelligent heating system
Dry time:	10-18 seconds
Energy per dry:	2.44 – 4.67 watts
Motor type:	Universal brush
Motor speed:	20000rpm
Air speed:	246 mph/110 m/s
Air volume:	114.6 m³/h
Operating sound level:	79 dB(A) @ 1 metres
Operating temp range:	113°F (40°C) – Ambient Temp. 68°F (20°C)
Heater element power:	850W
Standby power consumption:	<2W
Motor cut off time:	60 seconds
Ip rating:	IPX1
Motor class:	Class I
Sensor type:	IR self-adjusting 51 mm to 330 mm, adjustable; 150mm +20 mm
Materials:	Die cast aluminium chrome plated or white epoxy. V0 flame resistant motor casing and polycarbonate underside
Finishes available:	Brushed Satin or White
Guarantee:	2 years
Net weight:	4.3kg
Packed weight:	5Kg
Product dimensions :	H325 x W295 x D172mm
Packaging dimensions :	H360 x W340 x D225mm
Certification:	CE and ROHS

MEASUREMENT DETAILS



Ecoforce PLUS



WASHROOM TRAFFIC

All locations from low (<50) to medium use (<300 dries per day).

SUITABILITY

Restaurants, pubs, offices, schools, industrial factories and any location that requires a dryer to perform for intense periods or for up to 300 dries per day.

PRODUCT DESCRIPTION

The Ecoforce PLUS offers energy efficient, high speed drying. It is manufactured in the EU with the aim of giving the best quality to price ratio on the market.

The dryer uses ambient air (no heater element) which is compressed and delivered at very high speeds to dry the hands. The motor revolves very quickly, therefore the airflow warms to a comfortable temperature whilst keeping energy consumption very low.

This dryer has the quality to cope with intense use, for example during production or school breaks but is not recommended for continuous heavy use.

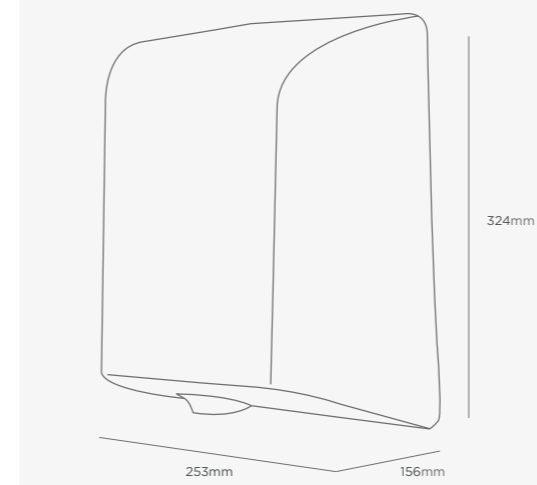
The simple, vandal resistant design is easy to maintain and gives reliable, long life performance when located in areas with traffic levels that match those recommended for the dryer. The expected motor life is 1200 continuous hours which means it would be expected to last around 7.9 years based on 100 uses per day and 2.6 years based on 300 uses (365 days per year).



TECHNICAL DESCRIPTION

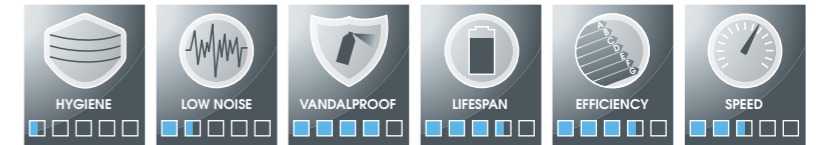
Single, compressed flow air outlet. Universal brush motor rated at 800w, operating at 35,000 rpm with 190mph air speed producing concentrated jet of air. Available in White ABS (EF04ABS), White Steel (EF04W), AISI 304 Brushed satin (EF04SS) and AISI 304 Polished chrome (EF04PS). 1.5mm gauge galvanised steel back plate, V0 flame resistant plastic motor casing and polycarbonate air outlet grill design to prevent. Steel covers have a 1.2mm gauge and ABS is 3mm. Adjustable IR sensor from 10mm to 350mm.

DIMENSIONS



RECOMMENDED INSTALLATION HEIGHTS (from the floor to the air outlet)

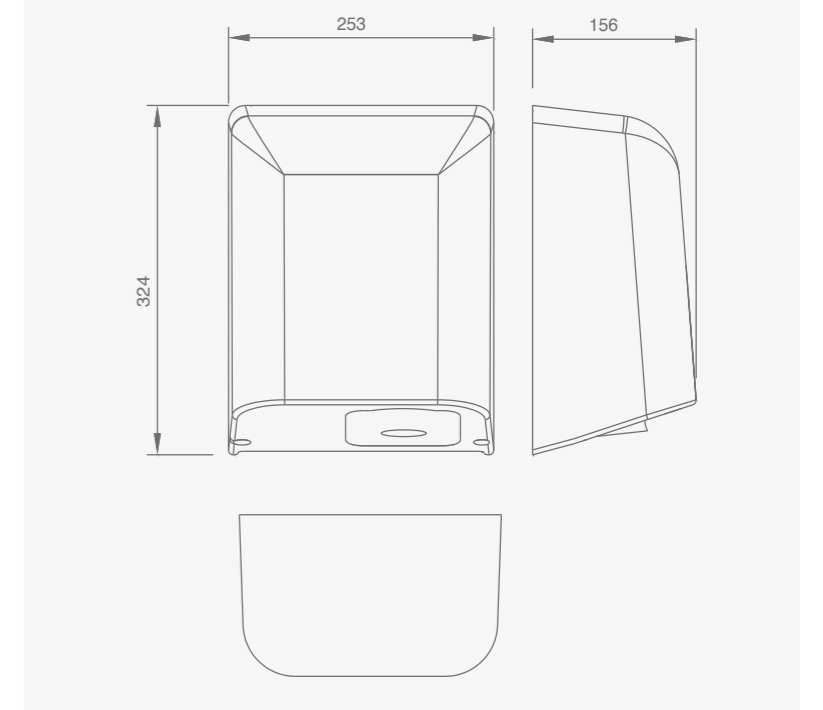
Men	1170mm
Women	1120mm
Children aged 4-7	810mm
Children aged 7-10	910mm
Children aged 10-13	1020mm
Children aged 13-17	1120mm
Disabled	940mm



TECHNICAL SPECIFICATION

Input voltage:	universal voltage 230-240 V 50/60Hz
Rated power:	0.8 kw
Dry time:	21 seconds
Energy per dry:	4.67 watts
Motor type:	Universal brush
Motor speed:	35,000 rpm
Air speed:	190mph
Air volume:	2660 l/min
Operating sound level:	72 dB(A)
Operating temp range:	40° C at 40 cm
Heater element power:	n/a
Standby power consumption:	<1W
Motor cut off time:	35 seconds
Ip rating:	IPX1
Motor class:	Class I
Sensor type:	IR
Materials:	Galvanised steel back plate (1.5mm), V0 flame resistant motor casing and polycarbonate protective grill
Finishes available:	White ABS, White metal, AISI 304 Brushed stainless, AISI 304 Polished Stainless
Guarantee:	3 years
Net weight:	3.6 kg ABS, 4.9kg steel
Packed weight:	3.6Kg ABS, 4.9Kg steel
Product dimensions :	H324 x W253 x D156mm
Packaging dimensions :	H350 x W270 x D170mm
Certification:	CE and ROHS

MEASUREMENT DETAILS



G-Force Eco

ANTIBACTERIAL
WHITE ABS
GF01

BRUSHED
SATIN
GF02

POLISHED
CHROME
GF03

WASHROOM TRAFFIC

All locations from low (<50) to medium use (300 driers per day)

SUITABILITY

offices, schools, bars, restaurants and locations where stylish visual design is important as well as high levels of energy efficiency.

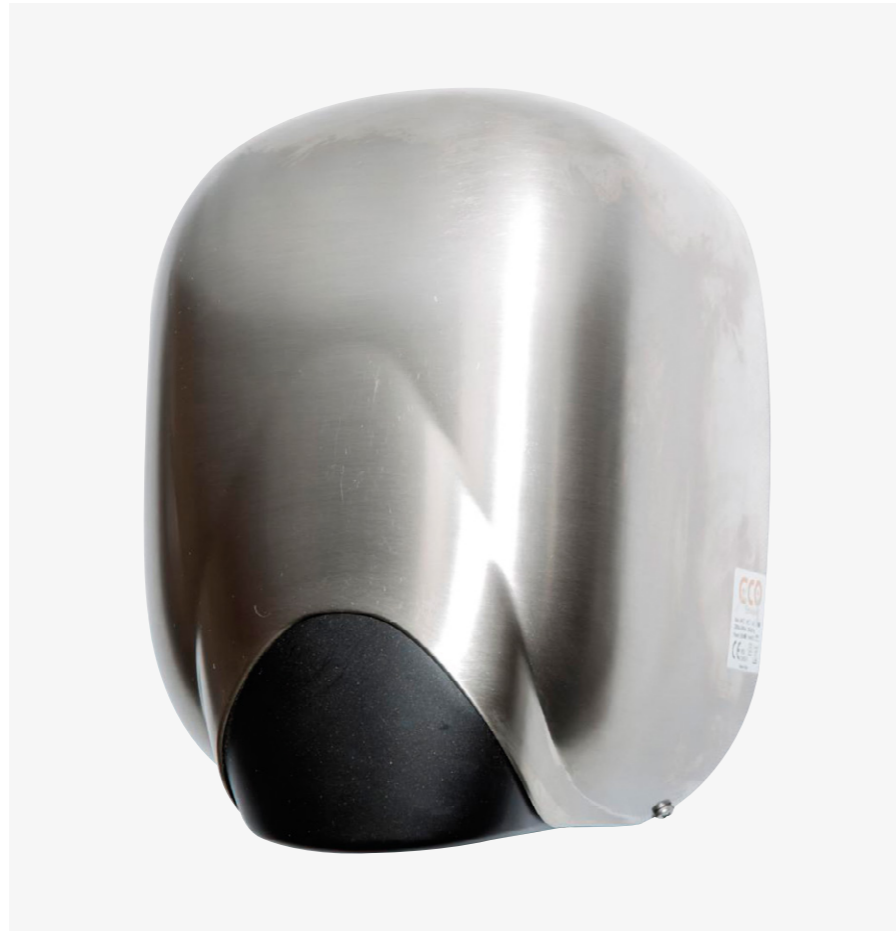
PRODUCT DESCRIPTION

This is an elegantly designed hand dryer for low to medium traffic washrooms (up to 300 uses per day).

The Eco version has no heater element and an ultra-efficient 550 watt high speed motor that produces a high velocity, compressed airflow. It offers dry times of between 15 and 20 seconds while consuming 80-90% less energy than traditional warm air hand dryers. The eco version offers the most energy efficient performance in the G-force range with the lowest noise output at the cost of a slightly reduced dry speed.

The hand dryer incorporates a HEPA filter that traps 99.97% of airborne bacteria and viruses over 0.3 microns. The UV activation light and sleek cover design make this an appealing purchase where image is all important.

Not recommended for cold rooms where the dryer is not in regular use (sub 20 degrees C).

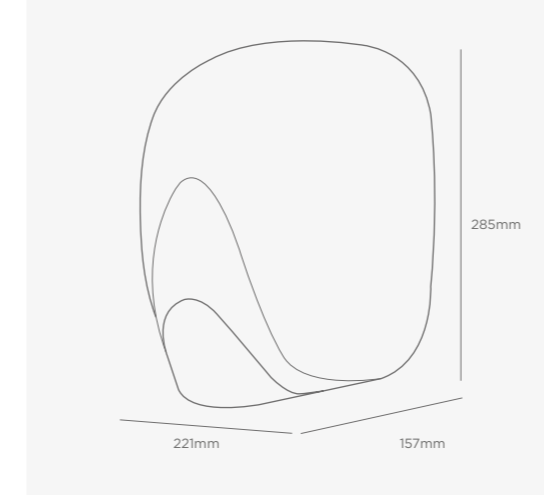


TECHNICAL DESCRIPTION

Available with a die cast aluminium cover (brushed satin or polished chrome) with black ABS underside and front panel or anti-bacterial impregnated ABS (white) with black underside and polished chrome ABS front panel. Internal dryer is constructed of flame retardant and lightweight ABS, enclosed motor offers IP23 class II protection. Working parts can all be removed independently.

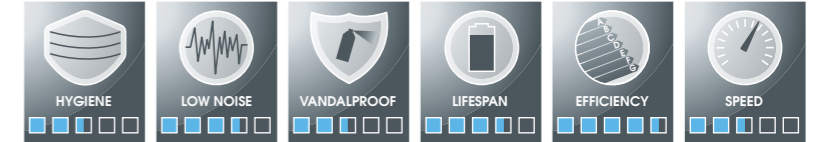
High performance 26,000 rpm universal vacuum brush motor rated at 550 watts generates 180 mph air speed through compressed strip air outlet. UV light activates when hands are placed under the sensor. Automatic IR sensor detection (variable 5-20 cm). HEPA filter holder fitted above the motor where airflow is drawn from. Automatic disconnection after 60 seconds.

DIMENSIONS



RECOMMENDED INSTALLATION HEIGHTS (from the floor to the air outlet)

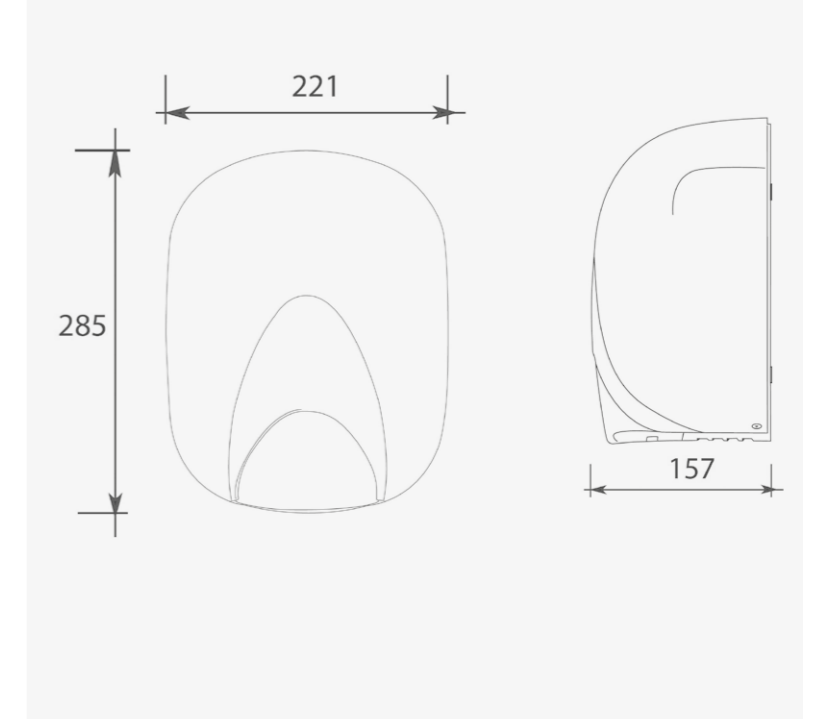
Men	1170mm
Women	1120mm
Children aged 4-7	810mm
Children aged 7-10	910mm
Children aged 10-13	1020mm
Children aged 13-17	1120mm
Disabled	940mm



TECHNICAL SPECIFICATION

Input voltage:	universal voltage 230-240 V 50/60Hz
Rated power:	0.55 kw
Dry time:	15-20* seconds
Energy per dry:	3.06 watts
Motor type:	Universal brush
Motor speed:	26,000 rpm
Air speed:	180mph
Air volume:	2880 l/min
Operating sound level:	68 dB(A) @ 1 metres
Operating temp range:	50 degrees C*
Heater element power:	N/A
Standby power consumption:	1-2 watts
Motor cut off time:	60 seconds
Ip rating:	IP23
Motor class:	Class II
Sensor type:	IR
Materials:	V0 flame resistant motor casing, antibacterial ABS underside and front panel with variable cover options
Finishes available:	White ABS, White metal, brushed satin die-cast aluminium, polished chrome die-cast aluminium
Guarantee:	3 years
Net weight:	3 kg ABS, 4kg steel
Packed weight:	3.5Kg ABS, 4.5kg steel
Product dimensions :	H285 x W221 x D157mm
Packaging dimensions :	H315 x W230 x D220mm
Certification:	CE and ROHS

MEASUREMENT DETAILS



G-Force Eco with heat

ANTIBACTERIAL
WHITE ABS
GF01WH

BRUSHED
SATIN
GF02WH

POLISHED
CHROME
GF03WH

WASHROOM TRAFFIC

All locations from low (<50) to medium use (<300 dries per day).

SUITABILITY

Offices, schools, bars, restaurants, factories and locations where stylish visual design, relatively low noise levels and warm air drying are required.

PRODUCT DESCRIPTION

This is an elegantly designed hand dryer for low to medium traffic washrooms (max of 300 uses per day).

The Eco version with heat is designed for areas that require the quickest dry speed but need to keep noise levels to a minimum. This dryer combines the ultra-efficient high speed motor rated at 550 watts and a 550 watt heater element to provide dual evaporation and high velocity drying. It offers dry times of around 18 seconds while consuming 70-75% less energy than traditional warm air hand dryers. The hand dryer incorporates a HEPA filter that traps 99.97% of airborne bacteria and viruses over 0.3 microns.

The UV activation light and sleek cover design make this an appealing purchase where image is all important.

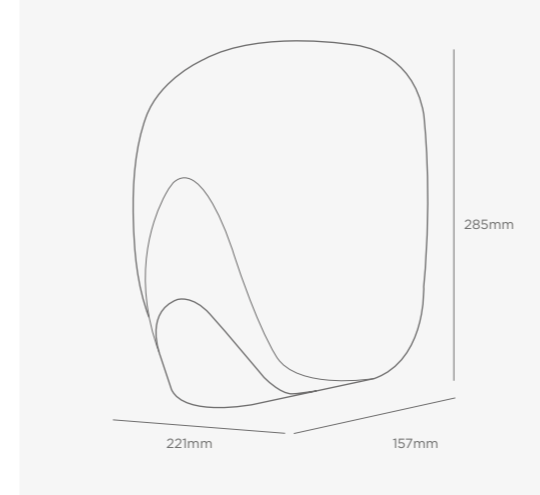


TECHNICAL DESCRIPTION

Available with a die cast aluminium cover (brushed satin or polished chrome) with black ABS underside and front panel or anti-bacterial impregnated ABS (white) with black underside and polished chrome ABS front panel. Internal dryer is constructed of flame retardant and lightweight ABS, enclosed motor offers IP23 class II protection. Working parts can all be removed independently.

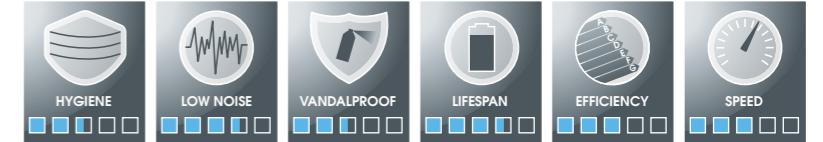
High performance 26,000 rpm universal vacuum brush motor rated at 550 watts generates 180 mph air speed through compressed strip air outlet. UV light activates when hands are placed under the sensor. Automatic IR sensor detection (variable 5-20 cm). HEPA filter holder fitted above the motor where airflow is drawn from. Automatic disconnection after 60 seconds.

DIMENSIONS



RECOMMENDED INSTALLATION HEIGHTS (from the floor to the air outlet)

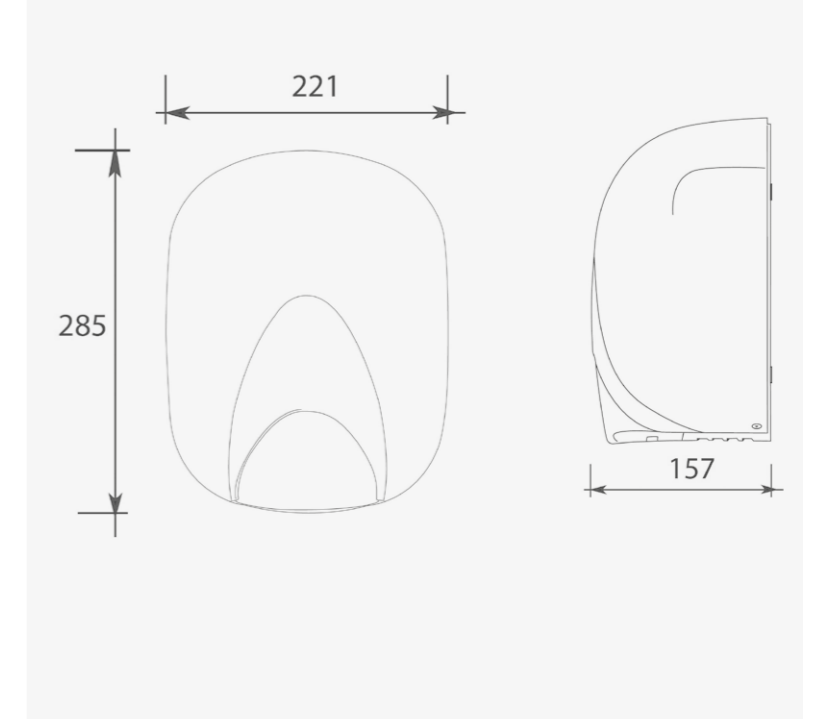
Men	1170mm
Women	1120mm
Children aged 4-7	810mm
Children aged 7-10	910mm
Children aged 10-13	1020mm
Children aged 13-17	1120mm
Disabled	940mm



TECHNICAL SPECIFICATION

Input voltage:	universal voltage 230-240 V 50/60Hz
Rated power:	1100 kw (550w motor and 550w heater element)
Dry time:	18 seconds
Energy per dry:	5.5 watts
Motor type:	Universal brush
Motor speed:	26,000 rpm
Air speed:	180mph
Air volume:	2880 l/min
Operating sound level:	68 dB(A) @ 1 metres
Operating temp range:	
Heater element power:	550 watts
Standby power consumption:	1-2 watts
Motor cut off time:	60 seconds
Ip rating:	IP23
Motor class:	Class II
Sensor type:	IR
Materials:	V0 flame resistant motor casing, antibacterial ABS underside and front panel with variable cover options
Finishes available:	White ABS, White metal, brushed satin die-cast aluminium, polished chrome die-cast aluminium
Guarantee:	3 years
Net weight:	3 kg ABS, 4 kg steel
Packed weight:	3.5kg ABS, 4.5kg Steel
Product dimensions :	H285 x W221 x D157mm
Packaging dimensions :	H315 x W230 x D220mm
Certification:	CE and ROHS

MEASUREMENT DETAILS



G-Force Turbo

ANTIBACTERIAL
WHITE ABS
GF01T

BRUSHED
SATIN
GF02T

POLISHED
CHROME
GF03T

WASHROOM TRAFFIC

All locations from low (<50) to medium use (<300 dries per day).

SUITABILITY

offices, schools, bars, restaurants, factories and locations where stylish visual design, speed and energy efficiency are important.

PRODUCT DESCRIPTION

This is an elegantly designed hand dryer for low to medium traffic washrooms (up to 300 uses per day).

The Turbo version has no heater element and an ultra-efficient 1100 watt high speed motor that produces an additional 6000 rpm motor speed to the eco version (total of 32,000rpm) This increases the compressed airflow speed to 202 mph and produces additional warmth at the cost of a high noise output than the other G-force models. It offers dry times of between 12 and 16 seconds while consuming 70-75% less energy than traditional warm air hand dryers. The hand dryer incorporates a HEPA filter that traps 99.97% of airborne bacteria and viruses over 0.3 microns.

The UV activation light and sleek cover design make this an appealing purchase where image is all important.

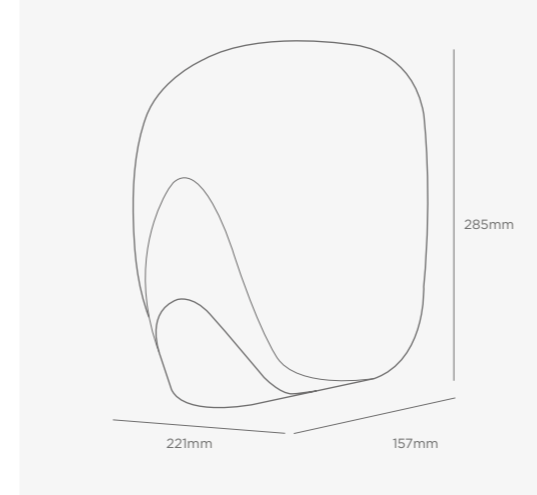


TECHNICAL DESCRIPTION

Available with a die cast aluminium cover (brushed satin or polished chrome) with black ABS underside and front panel or anti-bacterial impregnated ABS (white) with black underside and polished chrome ABS front panel. Internal dryer is constructed of flame retardant and lightweight ABS, enclosed motor offers IP23 class II protection. Working parts can all be removed independently.

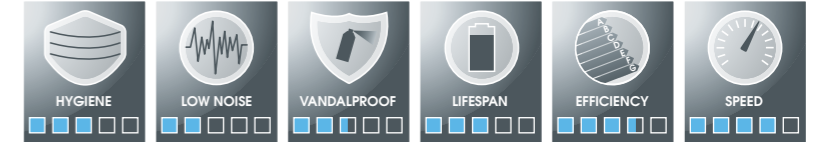
High performance 32,000 rpm universal vacuum brush motor rated at 1100 watts generates 202 mph air speed through compressed strip air outlet. UV light activates when hands are placed under the sensor. Automatic IR sensor detection (variable 5-20 cm). HEPA filter holder fitted above the motor where airflow is drawn from. Automatic disconnection after 60 seconds.

DIMENSIONS



RECOMMENDED INSTALLATION HEIGHTS (from the floor to the air outlet)

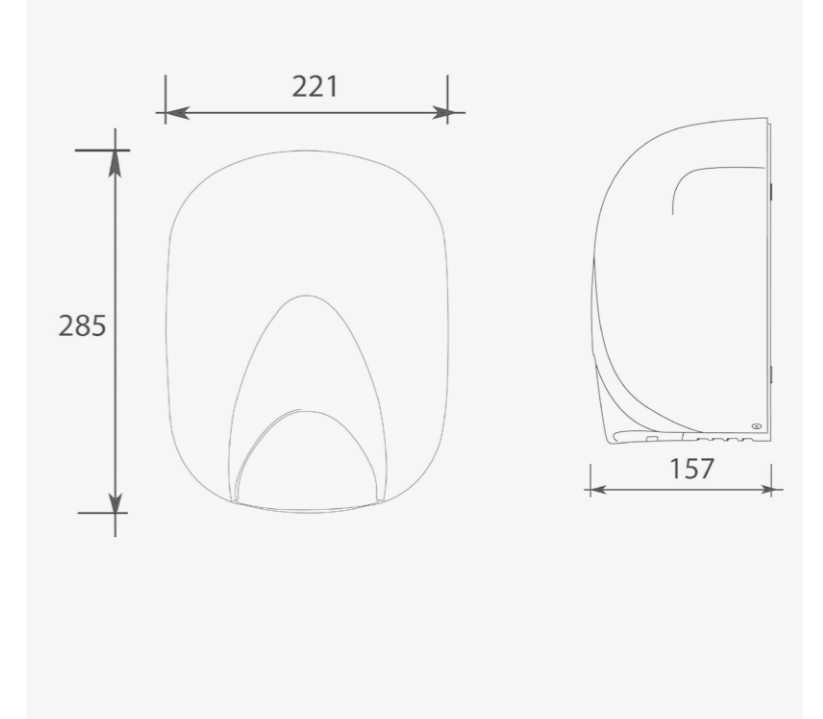
Men	1170mm
Women	1120mm
Children aged 4-7	810mm
Children aged 7-10	910mm
Children aged 10-13	1020mm
Children aged 13-17	1120mm
Disabled	940mm



TECHNICAL SPECIFICATION

Input voltage:	Universal voltage 230-240 V 50/60Hz
Rated power:	1100 kw
Dry time:	12-16* seconds
Energy per dry:	3.6 to 4.9 watts
Motor type:	Universal brush
Motor speed:	32,000 rpm
Air speed:	202mph
Air volume:	3117 l/min
Operating sound level:	75 dB(A) @ 1 metres
Operating temp range:	50 degrees C*
Heater element power:	N/A
Standby power consumption:	1-2 watts
Motor cut off time:	60 seconds
Ip rating:	IP23
Motor class:	Class II
Sensor type:	IR
Materials:	V0 flame resistant motor casing, antibacterial ABS underside and front panel with variable cover options
Finishes available:	White ABS, White metal, brushed satin die-cast aluminium, polished chrome die-cast aluminium
Guarantee:	3 years
Net weight:	3 kg ABS, 4kg steel
Packed weight:	3.5kg ABS, 4.5kg steel
Product dimensions :	H285 x W221 x D157mm
Packaging dimensions :	H315 x W230 x D220mm
Certification:	CE and ROHS

MEASUREMENT DETAILS



DryForce PLUS

SILVER
DF07S

WHITE
DF07W

WASHROOM TRAFFIC

All locations from low (<50) to light/mid use (<300 dries per day).

SUITABILITY

Primary schools (we recommend for younger children key stage 1/2), disabled toilets, offices, restaurants, coffee shops.

PRODUCT DESCRIPTION

The Dryforce PLUS hand dryer delivers much of the benefit of a 'hands in' style dryer without the physical size or cost.

It is a great all round hand drying solution. It is a high speed, low energy hand dryer that utilises advanced blade technology, air filtration and a water catchment system that prevents floors and walls from becoming wet. This unit has an intelligent heating system that adds heat to the airflow if the temperature of the room falls below 25C.

This hand dryer is one of the most energy efficient on the market for its price bracket and its water catchment system is a favourite due to a reduction in residual water being blown on to the floor; as is the potential of other "hands under" dryers. It has a relatively quick dry time of around 15 seconds (manufacturer stated) and a filter protected motor to preserve smooth operation.

The Dryforce PLUS has an innovative and new contemporary design, fast dry performance and excellent levels of energy efficiency ranging from consumption of 2.9 to 5.6 watts per dry.

We recommend this dryer for younger children (key stage 1/2) as it



is relatively quiet, has an interesting design which increases engagement and keeps floors slip free. Really high footfall areas and places where misuse and vandalism are highly likely are the only places to avoid installing this.



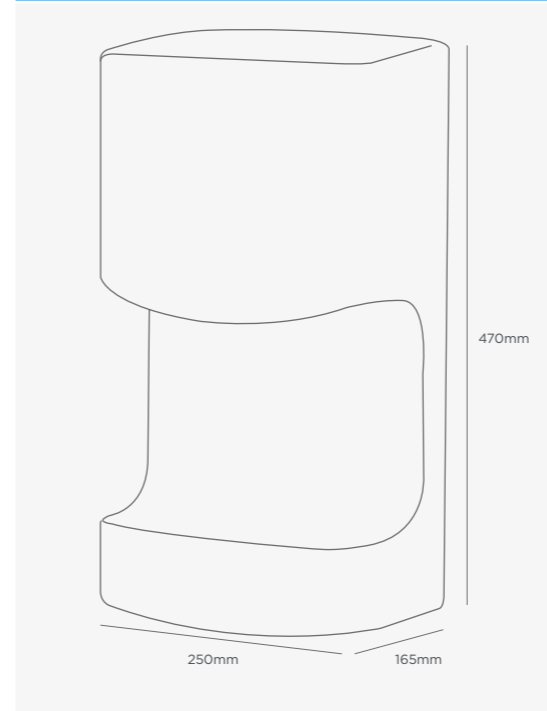
TECHNICAL DESCRIPTION

The body is made from impact resistant, anti-bacterial ABS plastic available in a white or silver finish. It has a removable filter tray which contains a washable filter, the filter is designed to prevent dust and debris entering the motor and airflow cycle.

Water catchment tray is located on underside of the tray and removable. The intelligent, energy saving, heater element senses the ambient air temperature and responds to maintain the heat in a range between 24 and 40°C. The overall rated power will therefore range between 550 and 1350 watts depending on the ambient conditions.

Universal brush motor rotates at 20,000 rpm producing concentrated 105mph jet of air. Noise levels remain low at 73 dB(A) @ 1 metre.

DIMENSIONS



RECOMMENDED INSTALLATION HEIGHTS (from the floor to the air outlet)

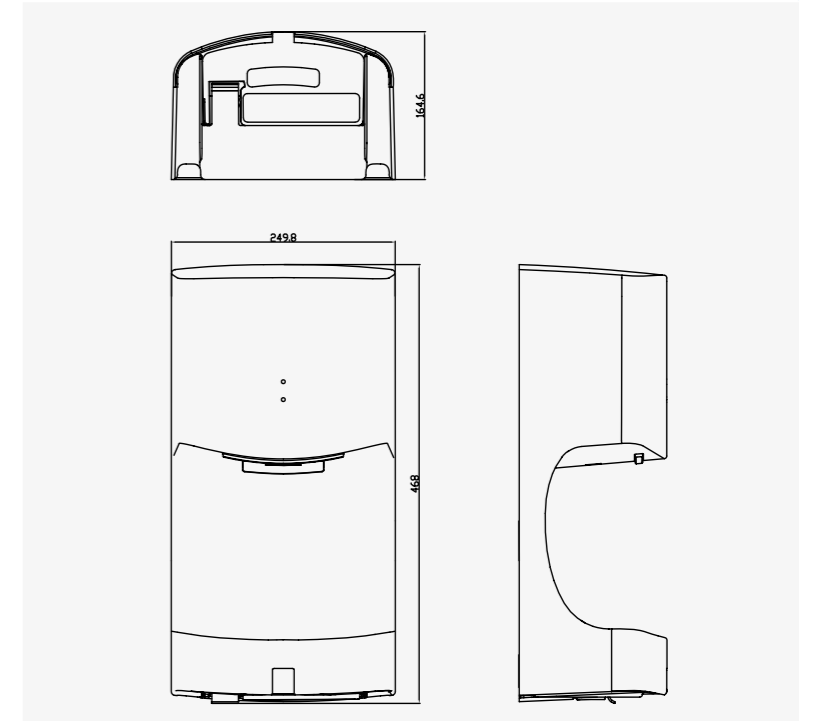
Men	1170mm
Women	1120mm
Children aged 4-7	810mm
Children aged 7-10	910mm
Children aged 10-13	1020mm
Children aged 13-17	1120mm
Disabled	940mm



TECHNICAL SPECIFICATION

Input voltage:	220-240 V 50/60Hz
Rated power:	0.55kw to 1.35kw
Dry time:	12 to 18 seconds
Energy per dry:	2.9 to 5.6 watts per dry
Motor type:	Universal brush series motor
Motor speed:	20000 rpm
Air speed:	105 m/s
Air volume:	113.4 m³/h
Operating sound level:	73 dB(A)
Operating temp range:	113°F (40°C) – Ambient Temp. 68°F (20°C)
Heater element power:	800W
Standby power consumption:	< 2 watt
Motor cut off time:	60 seconds
Ip rating:	IPX1
Motor class:	Class 2
Sensor type:	IR
Materials:	ABS
Finishes available:	Silver (DF07S) and White (DF07W)
Guarantee:	2 years
Net weight:	4.4 kg
Packed weight:	5 kg
Product dimensions :	H470 x W250 x D165 mm
Packaging dimensions :	H625 x W520 x D447 mm
Certification:	CE

MEASUREMENT DETAILS



DryFlow Classic PLUS

POLISHED
CHROME
DF06

BLACK
DF06B

WHITE
DF06W

WASHROOM TRAFFIC

All locations from low (<50) to extreme use (500+ dries per day).

SUITABILITY

Offices, schools, children's attractions, churches, libraries, disabled washrooms, airports, service stations.

PRODUCT DESCRIPTION

The Dryflow Classic PLUS is a good all-rounder. It offers exceptional longevity, robust construction, relatively good dry speed, energy efficiency and quiet operation. The dry time of approximately 18 seconds and energy consumption of 7 watts per dry is good, if not spectacular. However, when you consider the 6500 hour brush life, 17,000 motor life and moderate 72 dB(A) sound level, which shows no noticeable increase even when the hands are under the dryer, you see the overall benefit this dryer brings to high use locations that require quiet, energy efficient drying and a high degree of vandal resistance.

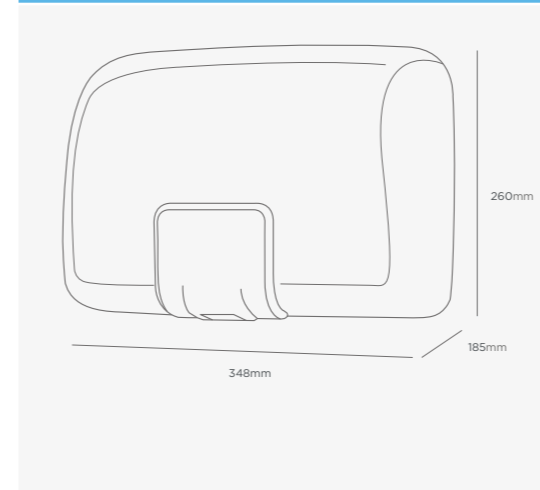
The Dryflow Classic PLUS is a good choice for high traffic locations such as motorway service stations, airports, etc. that can fit enough units to cope with the flow of traffic. The overall value proposition needs to be weighed up against more energy-efficient, faster-drying models which may either have a higher purchase price or lesser lifespan.



TECHNICAL DESCRIPTION

Die Cast aluminium body available in polished chrome, black or white finish with black ABS air outlet surround. A steel back plate and anti-tamper screws provides added security. Extended 6500 hour brush life with motor tested up to 17,000 hours before failure, which is up to 17 times longer than the industry standard. Class E Motor produces 7100 rpm generating 45 m/s airspeed. Thermal protection on motor and heater element.

DIMENSIONS



RECOMMENDED INSTALLATION HEIGHTS (from the floor to the air outlet)

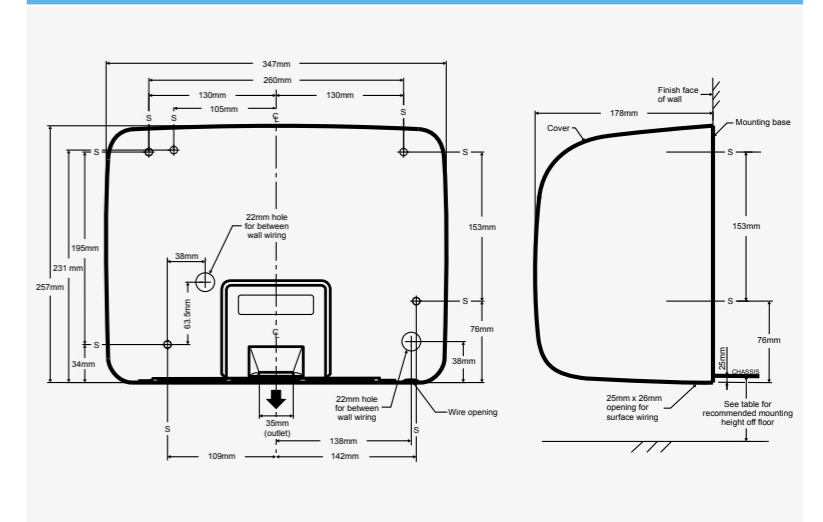
Men	1170mm
Women	1120mm
Children aged 4-7	810mm
Children aged 7-10	910mm
Children aged 10-13	1020mm
Children aged 13-17	1120mm
Disabled	940mm



TECHNICAL SPECIFICATION

Input voltage:	230-240 V 50/60Hz
Rated power:	1.4kw
Dry time:	15 seconds
Energy per dry:	5.83 watts
Motor type:	Universal brush
Motor speed:	7100 rpm
Air speed:	45 m/s – 100 mph
Air volume:	120m ³ /h
Operating sound level:	72-73 dB(A) @ 1 metres
Operating temp range:	55°C @ 20°C room temperature
Heater element power:	1250W
Standby power consumption:	< 1 watt
Motor cut off time:	90 seconds
Ip rating:	IP23
Motor class:	E
Sensor type:	Dual IR
Materials:	Die-cast aluminium
Finishes available:	Black, White, Polished Chrome
Guarantee:	5 years
Net weight:	5.4kg
Packed weight:	5.6kg
Product dimensions :	H260 x W348 x D185mm
Packaging dimensions :	H270 x W360 x D210mm
Certification:	CE

MEASUREMENT DETAILS



DryFlow Classic PLUS MkII

BLACK
DF06M2B

POLISHED
CHROME
DF06M2

WHITE
DF06M2W

WASHROOM TRAFFIC

All locations from low (<50) to extreme use (500+ dries per day).

SUITABILITY

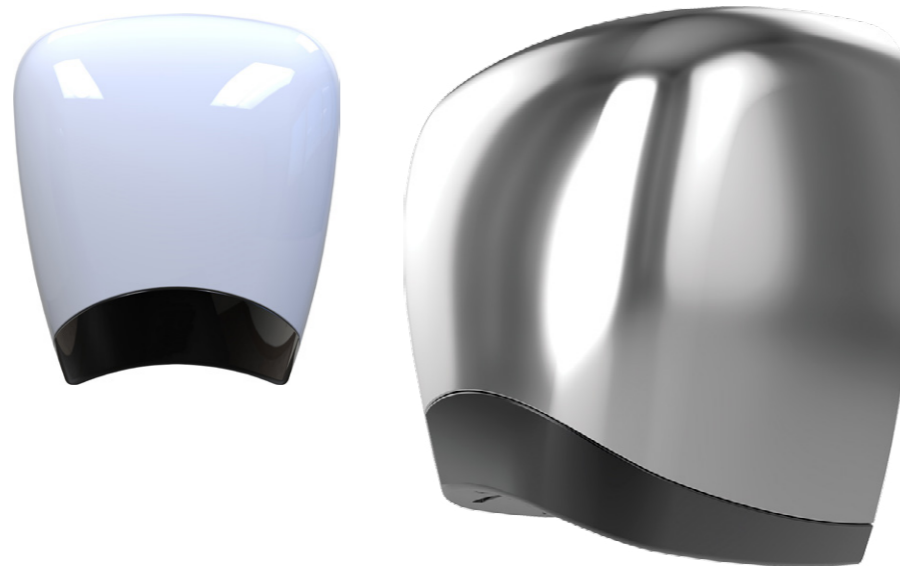
Hotels, restaurants, offices, airports, service stations, visitor attractions, museums, libraries.

PRODUCT DESCRIPTION

The Dryflow Classic PLUS mark II is a good all-rounder with modern, contemporary styling. It offers exceptional longevity, relatively good dry speed, energy efficiency and quiet operation. The dry time of approximately 18 seconds and energy consumption of 7 watts per dry is good, if not spectacular. However, when you consider the 6500 hour brush life, 17,000 motor life and moderate 72 dB(A) sound level, which shows no noticeable increase even when the hands are under the dryer, you see the overall benefit this dryer brings to high use locations that require quiet and energy efficient drying.

The Dryflow Classic PLUS mark II is a good choice for high traffic locations such as motorway service stations, airports etc can fit enough units to cope with the flow of traffic. It would also be recommended for prestigious, stylish locations on the basis of its attractive design.

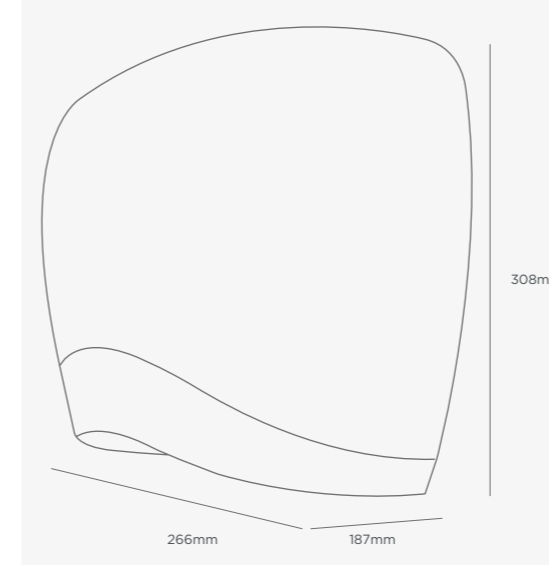
The overall value proposition needs to be weighed up against more energy-efficient, faster-drying models which may either have a higher purchase price or lesser lifespan.



TECHNICAL DESCRIPTION

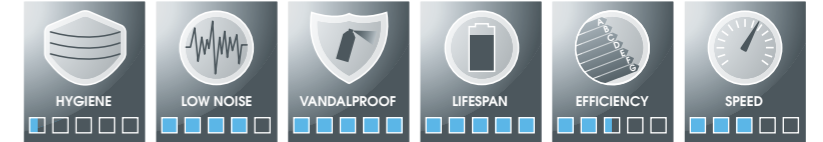
Die Cast aluminium body available in polished chrome and black or white and black finish. Black ABS underside and air outlet. A steel back plate and anti-tamper screws provides added security. Extended 6500 hour brush life with motor tested up to 17,000 hours before failure, which is up to 17 times longer than the industry standard. Class E Motor produces 7100 rpm generating 45 m/s airspeed. Thermal protection on motor and heater element.

DIMENSIONS



RECOMMENDED INSTALLATION HEIGHTS (from the floor to the air outlet)

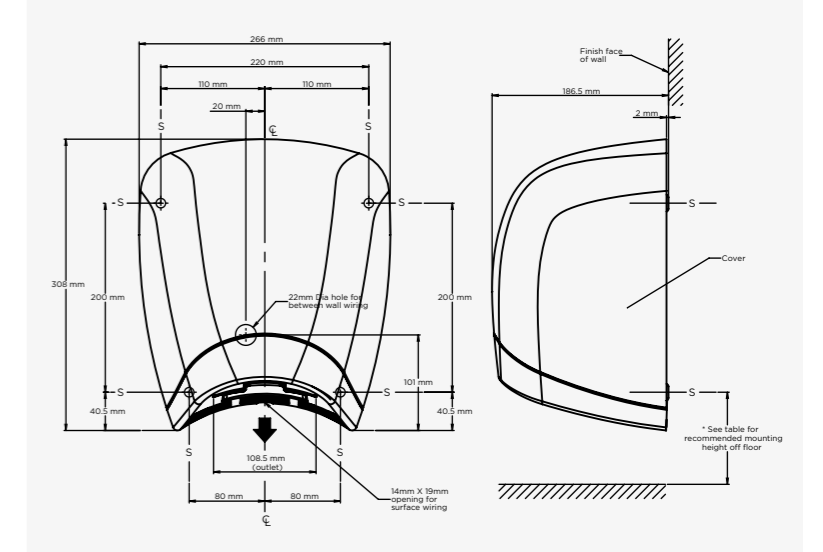
Men	1170mm
Women	1120mm
Children aged 4-7	810mm
Children aged 7-10	910mm
Children aged 10-13	1020mm
Children aged 13-17	1120mm
Disabled	940mm



TECHNICAL SPECIFICATION

Input voltage:	230-240 V 50/60Hz
Rated power:	1.4kw
Dry time:	18 seconds
Energy per dry:	7 watts
Motor type:	Universal brush
Motor speed:	7100 rpm
Air speed:	38 m/s – 100 mph
Air volume:	120m ³ /h
Operating sound level:	72-73 dB(A) @ 1 metres
Operating temp range:	55°C @ 20°C room temperature
Heater element power:	1250 watts
Standby power consumption:	< 1 watt
Motor cut off time:	90 seconds
Ip rating:	IP23
Motor class:	E
Sensor type:	Dual IR
Materials:	Die-cast aluminium
Finishes available:	Black, White, Polished Chrome
Guarantee:	5 years
Net weight:	4.6kg
Packed weight:	4.8kg
Product dimensions :	H308 x W266 x D187mm
Packaging dimensions :	H370 x W300 x D220mm
Certification:	CE

MEASUREMENT DETAILS



DryFlow Elite

BRUSHED SATIN
DF05SS

WHITE
DF05W

WASHROOM TRAFFIC

Suitable for all locations up to extreme traffic (>500).

SUITABILITY

Offices, schools, Children's attractions, churches, libraries, disabled washrooms

PRODUCT DESCRIPTION

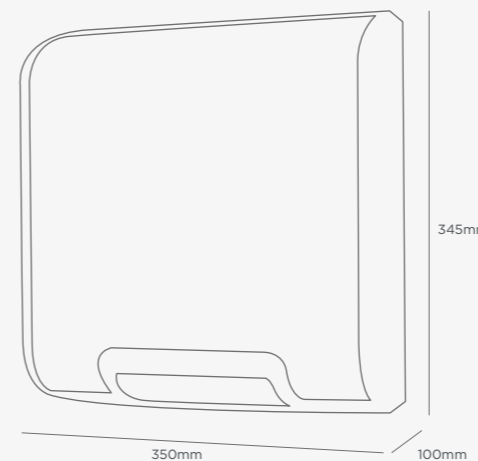
The Dryflow Elite is one of the most slim line hand dryers available, making it unobtrusive and allowing maximum space in the washroom. It was specifically designed to adhere to American disabilities act (ADA) requirements, which focus on maximising mobility space in disabled bathrooms. The quiet performance and wide airflow are other reasons why it is an appropriate product for disabled washrooms. The motor has one of the longest life spans in the industry making it suitable for all locations, however we must stress that the dry time (20-25 seconds) is good without being ultra-fast, therefore more units may be needed in high traffic locations. The energy consumption is also reasonable low at approximately 8 watts per dry, this is however less efficient than many alternatives. In summary this dryer is a good option where noise reduction and long life is paramount but some compromise has to be accepted.



TECHNICAL DESCRIPTION

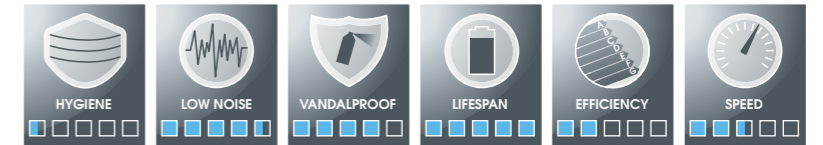
Brushed stainless steel or white powder coated steel cover with black ABS side panels and air outlet with round moulded corners for extra safety. Air outlet has safety grill to prevent insertion of foreign objects. A steel back plate and anti-tamper screws provides added security. Extended 6500 hour brush life with motor tested up to 17,000 hours before failure, which is up to 17 times longer than the industry standard. Noise level 67 to 71 dB(A) @ 1 metre. Testing showed no additional increase in noise when hands were placed under dryer.

DIMENSIONS



RECOMMENDED INSTALLATION HEIGHTS (from the floor to the air outlet)

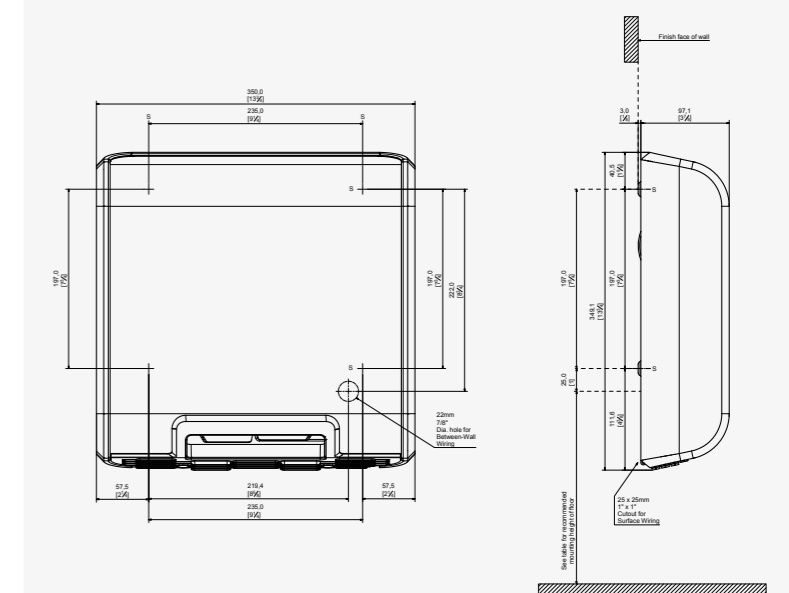
Men	1170mm
Women	1120mm
Children aged 4-7	810mm
Children aged 7-10	910mm
Children aged 10-13	1020mm
Children aged 13-17	1120mm
Disabled	940mm



TECHNICAL SPECIFICATION

Input voltage:	Universal voltage 230-240 V 50/60Hz
Rated power:	1.7 kw
Dry time:	20-25 seconds
Energy per dry:	8 watts
Motor type:	Universal brush class
Motor speed:	8200 rpm
Air speed:	28 m/s - 63 mph
Air volume:	130m ³ /h
Operating sound level:	67-71 dB(A) @ 1 metres
Operating temp range:	54°C @ 20°C room temperature
Heater element power:	1550 watts
Standby power consumption:	< 1 watt
Motor cut off time:	90 seconds
Ip rating:	IP21
Motor class:	E
Sensor type:	dual IR
Materials:	steel or stainless steel
Finishes available:	Brushed satin stainless or white steel
Guarantee:	5 years
Net weight:	5.2 kg
Packed weight:	5.4 kg
Product dimensions :	H345 x W350 x D100 mm
Packaging dimensions :	H380 x W380 x D130 mm
Certification:	CE

MEASUREMENT DETAILS



DryFlow Elite Mk II

POLISHED CHROME
DF05M2PC

WHITE
DF05M2W

BLACK
DF05M2B

WASHROOM TRAFFIC

Suitable for all locations up to extreme traffic (>500).

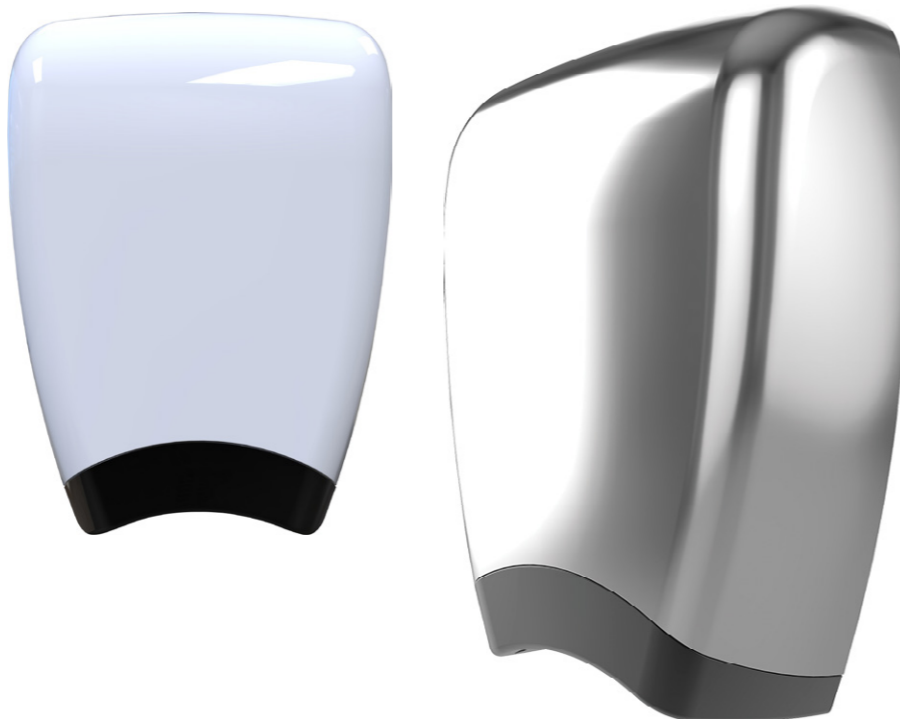
SUITABILITY

Offices, schools, Children's attractions, churches, libraries, disabled washrooms.

PRODUCT DESCRIPTION

The Dryflow Elite Mark II has stayed true to the virtues of original design (DF05 still available), retaining long life, quiet performance and a slim line appearance. It has further reduced the overall size, energy consumption and altered the physical design into one of the most stylish and contemporary available.

The Mark II again adheres to American disabilities act (ADA) requirements, which focus on maximising mobility space in disabled bathrooms. The quiet performance and wide airflow are other reasons why it is an appropriate product for disabled washrooms. The motor has one of the longest life spans in the industry making it suitable for all locations, however we must stress that the dry time (20-25 seconds) is good without being ultra-fast, therefore more units may be needed in high traffic locations. The energy consumption is low at approximately 6 watts per dry. The mark II is therefore an improvement on the original in every respect except from being not quite as robust.

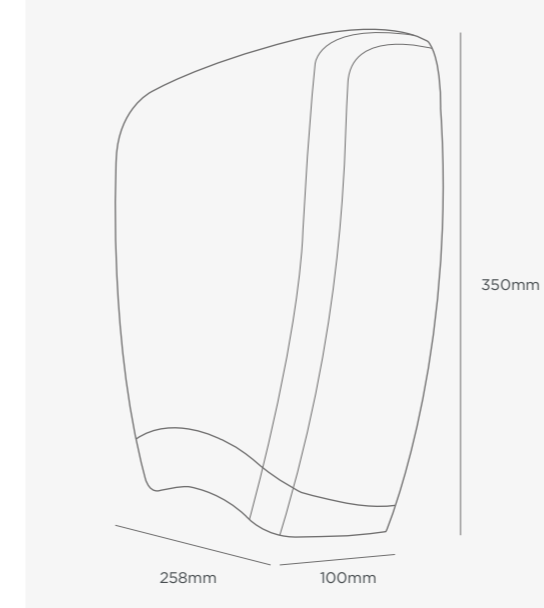


TECHNICAL DESCRIPTION

Die Cast aluminium body available in polished chrome and black or white and black finish. Safety grill over air outlet prevents foreign objects being pushed inside the dryer. 10cm depth from wall complies with ADA requirements.

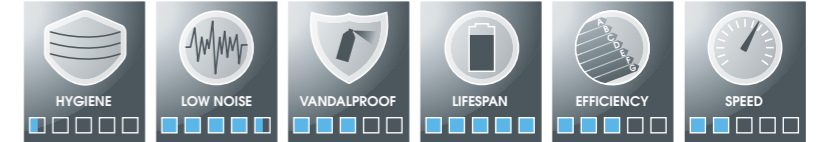
A steel back plate and anti-tamper screws provides added security. Extended 6500 hour brush life with motor tested up to 17,000 hours before failure, which is up to 17 times longer than the industry standard.

DIMENSIONS



RECOMMENDED INSTALLATION HEIGHTS (from the floor to the air outlet)

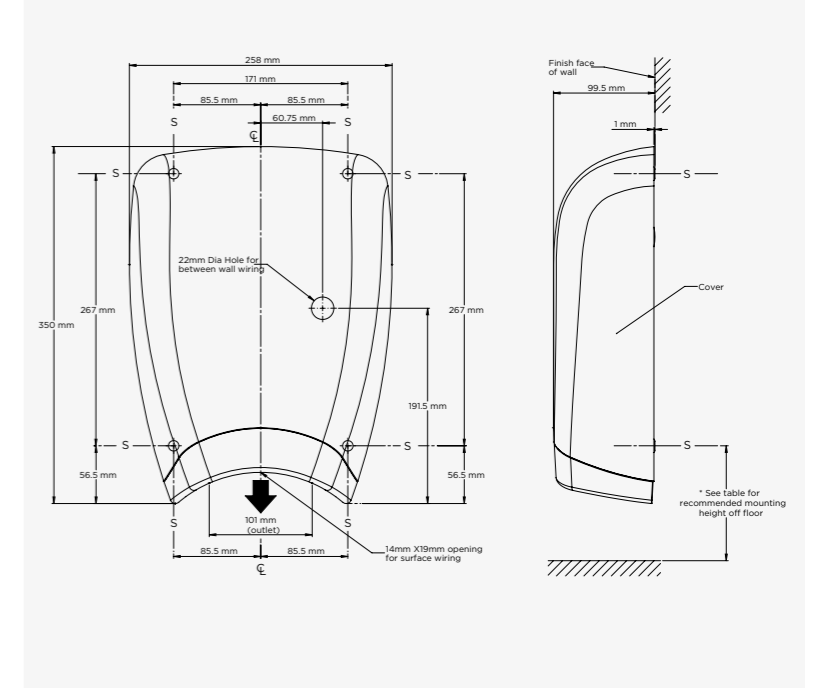
Men	1170mm
Women	1120mm
Children aged 4-7	810mm
Children aged 7-10	910mm
Children aged 10-13	1020mm
Children aged 13-17	1120mm
Disabled	940mm



TECHNICAL SPECIFICATION

Input voltage:	230-240 V 50/60Hz
Rated power:	1kw
Dry time:	20-25 seconds
Energy per dry:	6 watts
Motor type:	Universal brush (150 watts)
Motor speed:	8200 rpm
Air speed:	27 m/s - 60 mph
Air volume:	125m ³ /h
Operating sound level:	67-71 dB(A) @ 1 metres
Operating temp range:	47°C @ 20°C room temperature
Heater element power:	850 watts
Standby power consumption:	< 1 watt
Motor cut off time:	90 seconds
Ip rating:	IP23
Motor class:	E
Sensor type:	dual IR
Materials:	Die-cast aluminium
Finishes available:	White, black, or chrome
Guarantee:	5 years
Net weight:	3.4 kg
Packed weight:	3.6 kg
Product dimensions :	H350 x W258 x D100 mm
Packaging dimensions :	H380 x W310 x D140 mm
Certification:	CE

MEASUREMENT DETAILS



WHITE
STEEL
TF01

POLISHED
STAINLESS
TF02

BRUSHED
STAINLESS
TF03

WASHROOM TRAFFIC

High traffic locations
(maximum 500 uses per day).

SUITABILITY

Stadiums, Music venues, Colleges,
Universities, Schools, Offices,
Restaurants, Pubs, Nightclubs.

PRODUCT DESCRIPTION

The Turboforce is a very solid all round hand dryer, delivering realistic 10-15 second dry times. It has the option to operate with heat or without for improved energy efficiency and the motor speed can also be adjusted to lower the noise output. The products energy efficiency has been recognised by the Carbon trust and appears on the UK governments (ECA) list for energy efficient products.

The construction is extremely vandal resistant with a thick steel cover and anti-theft, steel back plate making it ideal for locations where abuse can occur.

The simple, minimalist design and UV activation light make it a popular and recognised choice.

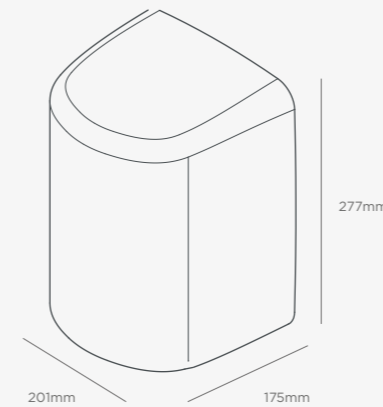
The expected brush life is 1000 hours and motor life 3000 hours of continuous use, delivering approximately 770,000 drying cycles. To put this into context, the dryer would be suitable for up to 480 uses per day** and still last for the guarantee period of 5 years.



TECHNICAL DESCRIPTION

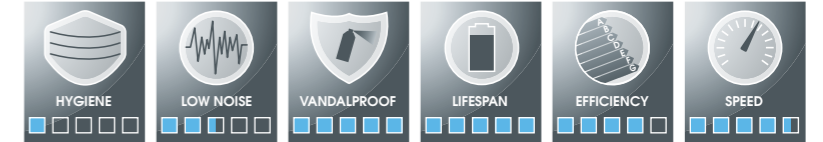
Adjustable universal brushless motor produces variable 75m/s (12,000 rpm) to 100m/s (18,000 rpm) airspeed. The energy consumption of the motor is between 0.35kw and 0.7kw. The heater element consumes 0.9kw giving a minimum total output of 0.35kw and a maximum of 1.6kw. The casing is made of a heavy duty, 1.5mm gauge steel casing, with steel anti-vandal locking plate and screws. UV activation light assists hand placement.

DIMENSIONS



RECOMMENDED INSTALLATION HEIGHTS (from the floor to the air outlet)

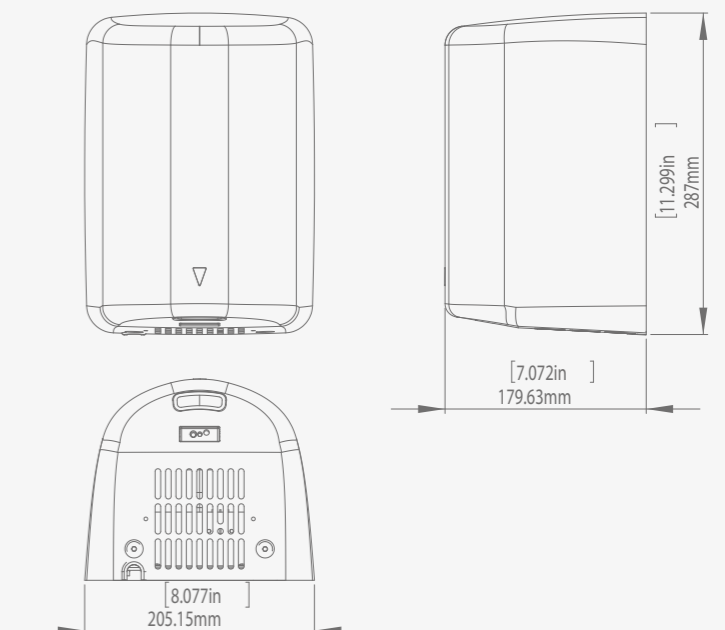
Men	1170mm
Women	1120mm
Children aged 4-7	810mm
Children aged 7-10	910mm
Children aged 10-13	1020mm
Children aged 13-17	1120mm
Disabled	940mm



TECHNICAL SPECIFICATION

Input voltage:	Universal voltage 230-240V 50/60Hz
Rated power:	0.35kw to 1.6kw variable depending on ambient temperature
Dry time:	10-15 seconds*
Energy per dry:	2 to 5 watts per dry
Motor type:	Universal brush motor
Motor speed:	Adjustable 12,000 to 18,000 rpm
Air speed:	75-100 m/s
Air volume:	116³ m/hr
Operating sound level:	75-80 dB(A)
Operating temp range:	Motor Thermal Protection auto-resetting at 105°C
Heater element power:	450 - 900W
Standby power consumption:	< 2 watt
Motor cut off time:	60 second auto shut off
Ip rating:	IPX1
Motor class:	Class I
Sensor type:	IR
Materials:	Stainless steel / Steel
Finishes available:	AISI 304 brushed stainless, AISI 304 Polished chrome, White steel
Guarantee:	5 years
Net weight:	5.8 kg
Packed weight:	6.6 kg
Product dimensions :	H277 x W201 x D175 mm
Packaging dimensions :	H370 x W265 x D225 mm
Certification:	CE and ROHS

MEASUREMENT DETAILS



*Depending on ambient air temperature conditions.
**Based on 365 day usage, a well maintained unit would give 3-4 years of service at this level, this would be extended as the unit may not be used every day.

eXtremeAir GXT

BRUSHED SATIN
GXT9SS

BLACK
GXT9-BG

WHITE ABS
GXT9

POLISHED CHROME
GXT9-C

WASHROOM TRAFFIC

All locations from low (<50) to extreme use (500+ dries per day).

SUITABILITY

Shopping centres, Airports, Stadiums, Schools, Universities and all locations where speed and sound adjustment is required to uniform one hand dryer throughout a building and heavy duty vandal resistance is important.

PRODUCT DESCRIPTION

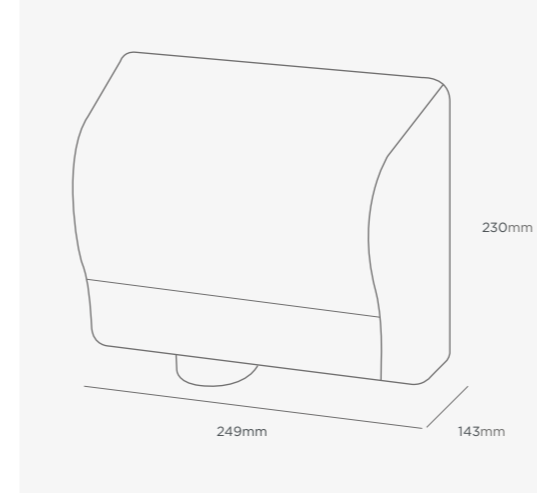
The eXtremeAir GXT is a robust, long life and energy efficient, high speed hand dryer which covers the needs of almost all facilities. Unlike many dryers with fixed motor speed settings and either ambient or heated airflow only, the eXtremeAir motor can be adjusted between 14,000 rpm and 24,000 rpm and heat added or removed. The value of this is that you can install one standard dryer throughout your facilities and adjust the noise levels where required. For example, in one location noise may not be an issue therefore you would run the eXtremeAir on maximum speed without heat and this will only be rated at 500w and using 1.5 to 2 watts per dry, whereas next to a meeting room it may be necessary to reduce the motor speed and have heat to ensure the dryer remains effective but quieter. This is of value to many large sites, like Schools, Universities and Offices. The product is compact, vandal resistant and can be installed in any country in the world as it is self-adjusting to universal voltage requirements.



TECHNICAL DESCRIPTION

Single, compressed flow air outlet. 5/8 HP energy efficient, adjustable motor 0.35kw to 0.5kw with variable 14,000 to 24,000 rpm. 1kw heater element maybe disengaged as required. Tamper resistant screws and single piece cover made from white ABS, steel with white or black epoxy finish, brushed stainless steel or polished chrome. ABS flame retardant internal casing. Internal dial operates motor speed and allows for decibel range of 68 to 83 dBA at 1 metre.

DIMENSIONS



RECOMMENDED INSTALLATION HEIGHTS (from the floor to the air outlet)

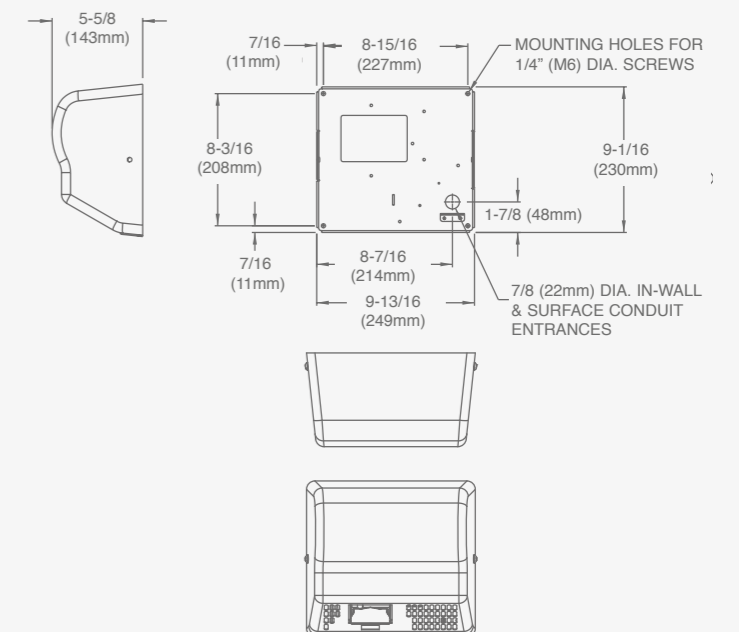
Men	1170mm
Women	1120mm
Children aged 4-7	810mm
Children aged 7-10	910mm
Children aged 10-13	1020mm
Children aged 13-17	1120mm
Disabled	940mm



TECHNICAL SPECIFICATION

Input voltage:	Universal voltage 100-240 V 50/60Hz
Rated power:	0.3 kw to 0.5kw without heat. 1.3 to 1.5kw with heat
Dry time:	11-23 seconds - variable heat and speed settings (max speed and heat = shortest dry time)
Energy per dry:	1.67 - 6.5 Watts
Motor type:	Universal brushed
Motor speed:	14000 to 24000 rpm
Air speed:	10,000-19,000 LFM
Air volume:	N/A
Operating sound level:	69 - 83 dB
Operating temp range:	135° F at 72° F room temperature
Heater element power:	1000W
Standby power consumption:	< 1 watt
Motor cut off time:	35 seconds
Ip rating:	IPX1
Motor class:	Class I
Sensor type:	IR
Materials:	ABS / Steel
Finishes available:	White ABS, black graphite, AISI 304 polished chrome, AISI 304 brushed stainless
Guarantee:	5 years
Net weight:	3.62kg ABS, 4.08Kg Steel
Packed weight:	4.08Kg ABS, 4.53Kg Steel
Product dimensions :	H230 x W249 x D143mm
Packaging dimensions :	H300 x W280 x D180mm
Certification:	CE UL cUL Greenspec

MEASUREMENT DETAILS



eXtremeAir CPC

WHITE
ABS
CPC-9

WHITE
STEEL
CPC-9M

BRUSHED
SATIN
CPC-SS

WASHROOM TRAFFIC

All locations from low (<50) to extreme use (500+ dries per day).

SUITABILITY

Locations concerned with added hygiene such as food processing facilities, hospitals, schools, airports and other large public buildings.

PRODUCT DESCRIPTION

The eXtremeAir CPC is a unique hand dryer. The generator inside the eXtremeAir CPC fuses the airflow with cold plasma that in turn splits moisture present in the air and on wet hands to create powerful anti-microbial hydroxyl radicals. These break down the structure of bacteria. The technology has been independently proven by leading microbiology labs to be effective against MRSA, e-Coli, Salmonella, Staph and c-Diff and in other applications against norovirus.

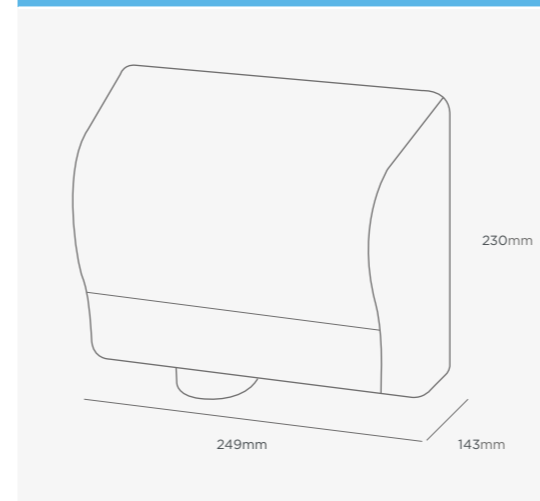
This is an industry leading hand dryer in terms of energy efficiency, dry speed, longevity and flexibility. With an adjustable speed motor, the eXtremeAir can adapt the noise output for different areas of the building. The heat can be engaged when the dryer is required to operate and a quieter level and removed to improve energy efficiency in high traffic locations where the motor will generate sufficient heat.



TECHNICAL DESCRIPTION

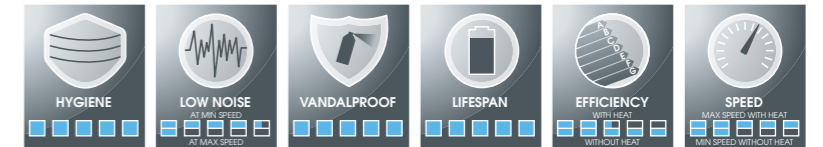
Single, compressed flow air outlet. 5/8 HP energy efficient, adjustable motor 0.35kw to 0.5kw with variable 14,000 to 24,000 rpm. 1kw heater element maybe disengaged as required. Tamper resistant screws and single piece cover made from white ABS, steel with white, black epoxy, brushed stainless steel or polished chrome finish. ABS flame retardant internal casing. Internal dial operates motor speed and allows for decibel range of 68 to 83 dBA at 1 metre. The expected motor life is 2500 continuous hours or 800,000 to 1 million drying cycles. Cold Plasma generator is patented for use in the eXtremeAir CPC hand dryer, operating consumption is 1 watt.

DIMENSIONS



RECOMMENDED INSTALLATION HEIGHTS (from the floor to the air outlet)

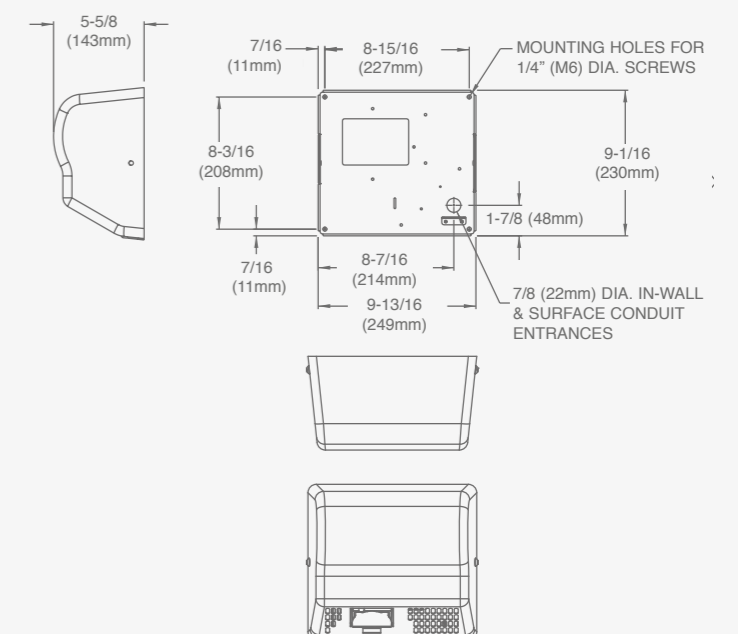
Men	1170mm
Women	1120mm
Children aged 4-7	810mm
Children aged 7-10	910mm
Children aged 10-13	1020mm
Children aged 13-17	1120mm
Disabled	940mm



TECHNICAL SPECIFICATION

Input voltage:	Universal voltage 100-240 V 50/60Hz
Rated power:	0.3 kw to 0.5kw without heat. 1.3 to 1.5kw with heat
Dry time:	11 - 23 seconds - variable heat and speed settings (max speed and heat = shortest dry time)
Energy per dry:	1.67 - 6.5 Watts
Motor type:	Universal brushed
Motor speed:	14000 to 24000 rpm
Air speed:	99 m/s
Air volume:	N/A
Operating sound level:	69 - 83 dB
Operating temp range:	135° F at 72° F room temperature
Heater element power:	1000W
Standby power consumption:	< 1 watt
Motor cut off time:	35 seconds
Ip rating:	IPX1
Motor class:	Class I
Sensor type:	IR
Materials:	ABS / Steel
Finishes available:	white ABS, white steel, brushed satin stainless steel
Guarantee:	5 years
Net weight:	3.62kg ABS, 4.08Kg Steel
Packed weight:	4.08Kg ABS, 4.53Kg Steel
Product dimensions :	H230 x W249 x D143mm
Packaging dimensions :	H300 x W280 x D180mm
Certification:	CE UL cUL Greenspec

MEASUREMENT DETAILS



StealthForce

GREY
SF01

WHITE
SF02

WASHROOM TRAFFIC

Suitable for all locations up to heavy use (500 uses per day).

SUITABILITY

Office environments, key stage 1 and 2 (schools), dental surgeries, doctors.

PRODUCT DESCRIPTION

The w is a highly energy efficient, high speed dryer with adjustable speed settings and a unique Quadrant, anti-bacterial protection system. The 4 speed motor allows sound adjustment where necessary, so each Stealthforce can be set to operate at an appropriate level to the environment they are in. The quadrant anti-bacterial system (PAT no 10-2011-1046179) consists of anti-microbial surface protection, a HEPA filter and integrated UV-C tube which provides constant anti-microbial action of the filter to maintain its effectiveness. There is also a 5 minute internal heat sanitisation program which ensures the air outlet nozzle is also sanitised. The light on the dryer indicates when the HEPA filter requires changing (30,000 cycles) and when the UV-C tube has been in operation for 5,000 hours, in order to maintain effectiveness.

The Stealthforce produces a blade of air from the outlet strip which warms from the motor as no additional heater element is engaged during the drying process.

The expected motor life is 3,000 continuous hours which means it would be expected to last around 6.5 years based on 300 uses per day and 4 years based on 500 uses (365 days per year).

We do not recommend this product for areas where deliberate vandalism is a real possibility.

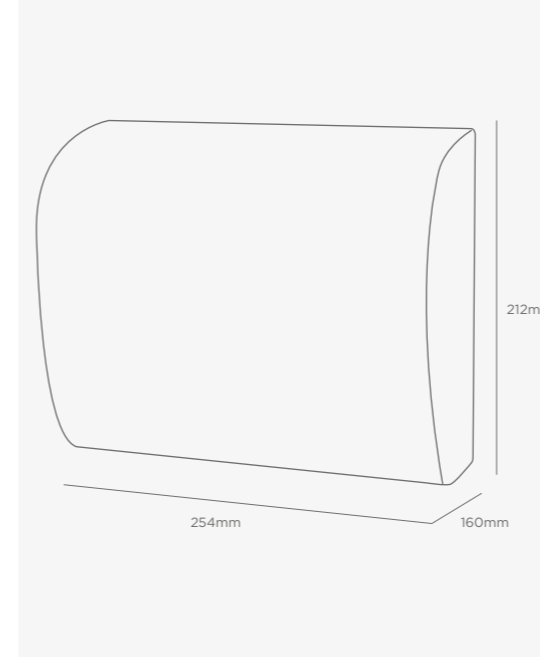


TECHNICAL DESCRIPTION

Flame proof, anti-microbial ABS casing and motor housing fitted to steel backing plate. Concealed tray on the underside with quick release mechanism houses the UV-C tube and HEPA filter.

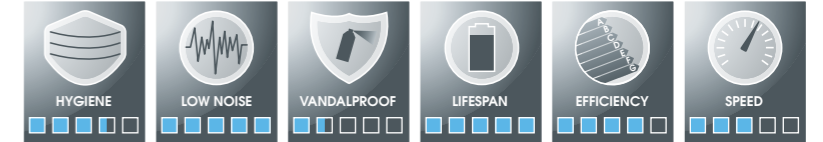
The four speed universal brush motor rotates at a maximum speed of 42,000 rpm and delivers airspeeds between 80m/s and 130m/s depending on motor speed setting, giving a variable noise output of 54 to 68 dB(A).

DIMENSIONS



RECOMMENDED INSTALLATION HEIGHTS (from the floor to the air outlet)

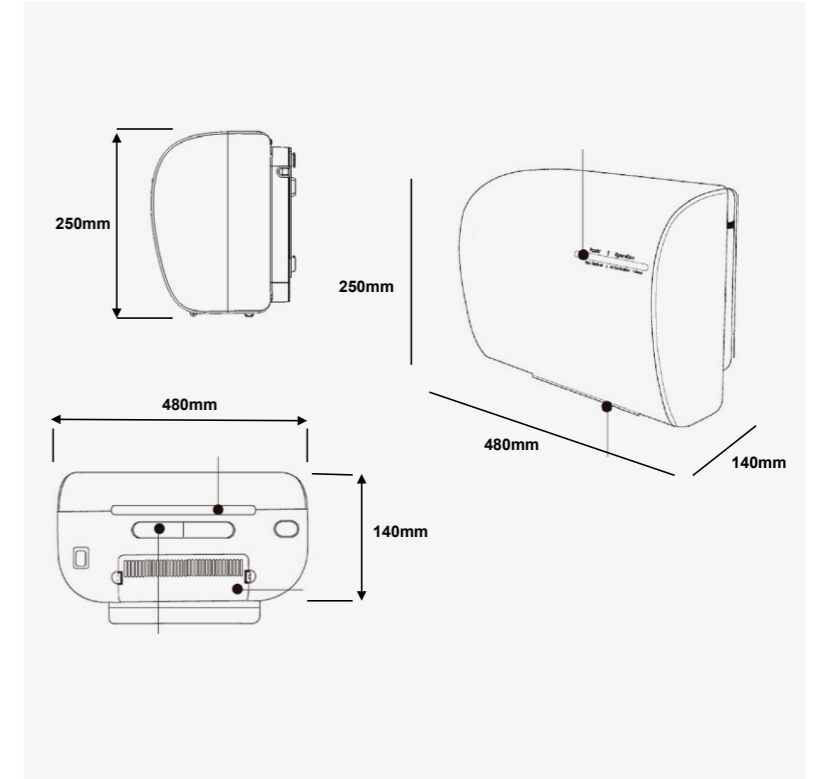
Men	1170mm
Women	1120mm
Children aged 4-7	810mm
Children aged 7-10	910mm
Children aged 10-13	1020mm
Children aged 13-17	1120mm
Disabled	940mm



TECHNICAL SPECIFICATION

Input voltage:	230-240 V 50/60Hz
Rated power:	Setting 1 = 240w 2 = 420w 3 = 510w 4 = 700w
Dry time:	10-15 seconds
Energy per dry:	1.5 to 3 watts
Motor type:	Universal brush
Motor speed:	32,000 to 42,000 rpm
Air speed:	Setting 1 = 80 m/s 2 = 100 m/s 3 = 110 m/s 4 = 130 m/s
Air volume:	N/A
Operating sound level:	54 to 68 dB(A) @ 1 metres
Operating temp range:	30°C @ 23°C ambient temperature
Heater element power:	n/a
Standby power consumption:	1 watt
Motor cut off time:	35 seconds
Ip rating:	IPX3
Motor class:	Class II
Sensor type:	IR
Materials:	ABS
Finishes available:	White ABS, Grey/White ABS
Guarantee:	5 years or 700,000 cycles
Net weight:	3kg
Packed weight:	3.5kg
Product dimensions:	W254 x H212 x D160 mm
Packaging dimensions :	W360 v H230 x D190 mm
Certification:	CE and ROHS

MEASUREMENT DETAILS





Blade style hand dryers tend to have a longer lasting motor, use 'blades' of air to scrape water off the hands, and protect the user from spray from residual water. Some also have a water collection tray which stops excess water from landing on the floor.

WASHROOM TRAFFIC

Suitable for all locations including extreme traffic (>500).

SUITABILITY

All locations. Not suitable for areas where vandalism is known.

PRODUCT DESCRIPTION

The Jetforce is a dual 'blade' airflow hand dryer which scrapes water from the hands, keeping washroom floors moisture free as residual water drains into an easily serviceable tank.

The Jetforce is fast drying and energy efficient, using an intelligent heat system to minimise the use of unnecessary power. An LED counter and blue dry zone, assists the user to position hands correctly and draw the hands slowly out of the dryer to ensure comprehensive drying. The dryer has an intelligent system which senses when the airflow temperature drops and therefore maintains comfortable drying, using the minimum energy possible.

This is a sleek, contemporary dryer with a long life motor capable of withstanding intensive use. The brushless motor is designed to last for 10,000 plus continuous uses or 2.4 million cycles.



RECOMMENDED INSTALLATION HEIGHTS (from the floor to top of hand dryer)

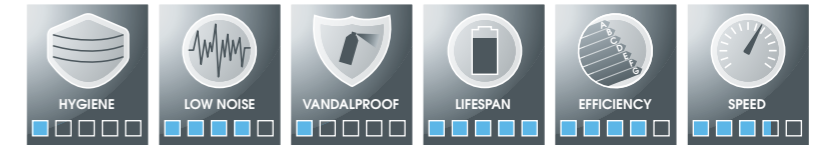
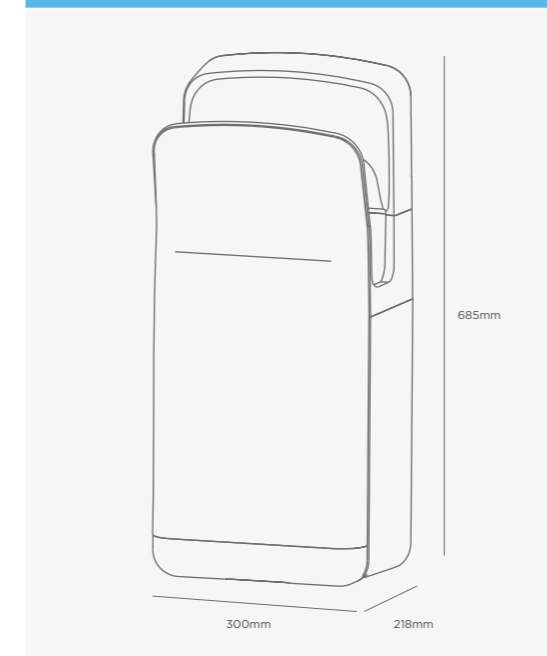
Men	1050mm
Women	975mm
Children	875mm
Disabled	875mm

TECHNICAL DESCRIPTION

The outer casing is made from an impact resistant, flame resistant ABS plastic with anti-microbial coating. Dual concentrated jets of air flow from apertures on either side of the dryer providing a blade of airflow. The motor is rated at 750 watts and is a long life, 20,000rpm digital brushless type. Enclosed switch on the side of the unit activates the two speed motor. On high speed setting (110 m/s) the dryer works using an intelligent temperature controlled system that senses if the air temperature drops and maintains a range between 24° and 40°, only activating the 900 watt heater element as required. On the low speed (95 m/s) setting the heater element automatically activates to a constant temperature with safety controls to prevent overheating. Total rated power is 1.65kw, this is variable from 0.75kw to 1.65kw during use. Approximate consumption per dry is 2 to 6 watts.

The air intake is filtered of 99.99% of bacteria by a HEPA filter. The HEPA filter surfaces are maintained sterile by dual UV-C led lights. The unit also has an 800ml drainage tank which collects the excess water from hand drying. Both the filter and drainage tank are easily accessible from the bottom of the dryer. Intelligent diagnosis system informs service technician by creating error code on display in event of fault. Service requirements like tank full and HEPA change also displayed.

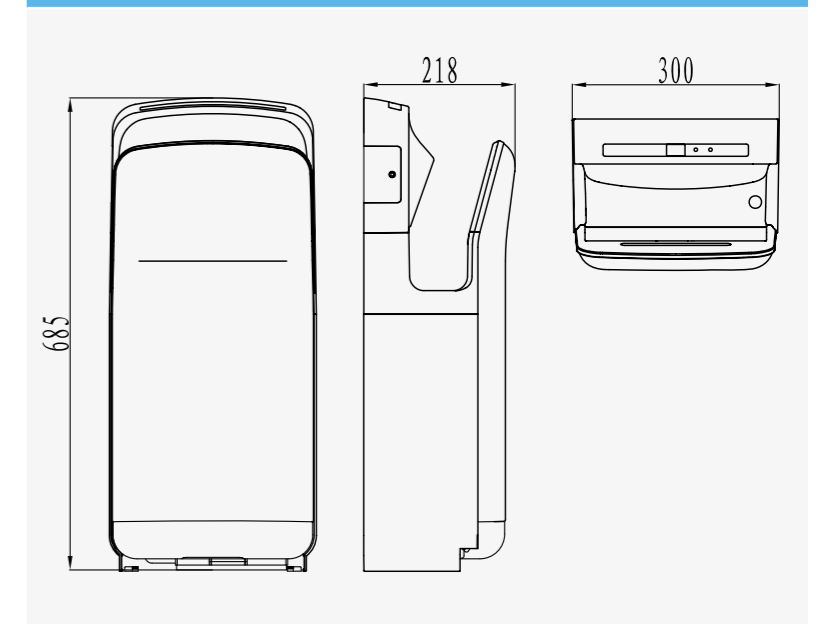
DIMENSIONS



TECHNICAL SPECIFICATION

Input voltage:	Universal voltage 230-240 V 50/60Hz
Rated power:	0.75kw to 1.65 kw intelligent heating system
Dry time:	10-15 seconds
Energy per dry:	3.54 – 5.50 watts
Motor type:	Digital brushless
Motor speed:	20,000 rpm
Air speed:	95 m/s or 213 mph
Air volume:	N/A
Operating sound level:	70-75 dB(A) @ 1 metres
Operating temp range:	24 to 40 degrees C
Heater element power:	900W
Standby power consumption:	< 2 watts
Motor cut off time:	30 seconds
Ip rating:	IPX4
Motor class:	Class I
Sensor type:	IR self-adjusting
Materials:	ABS
Finishes available:	Silver, white on request
Guarantee:	5 years
Net weight:	9.5 kg
Packed weight:	11 kg
Product dimensions :	H685 x W300 x D218mm
Packaging dimensions :	H725 x W360 x D285mm
Certification:	CE and ROHS

MEASUREMENT DETAILS



StealthForce PLUS

SILVER
ABS
SFO3S

WASHROOM TRAFFIC

Suitable for all locations including extreme traffic (500+ uses per day).

SUITABILITY

All locations. Not suitable for areas where vandalism is known.

PRODUCT DESCRIPTION

The Stealthforce PLUS is a dual 'blade' airflow hand dryer is built on the same principals of quiet operation and integrated UV-C and HEPA air filtration as the original 'hands under' Stealthforce.

The Stealthforce PLUS is fast drying and energy efficient, using an Intelligent heat system to minimise the use of unnecessary power. A LED counter and blue dry zone, assists the user to position hands correctly and draw the hands slowly out of the dryer to ensure comprehensive drying.

A integrated UV-C tube provides ongoing anti-microbial action on the HEPA filter to provide maximum hygiene, without this it is questionable whether an unattended HEPA filter on other hand dryers are having a positive effect as the machines get older. Water drains into an easily serviceable tank.

This is a sleek, contemporary dryer with a long life motor capable of withstanding intensive use. The Brushless motor is designed to last for 10,000 plus continuous uses or 2.4 million cycles.

RECOMMENDED INSTALLATION HEIGHTS (from the floor to top of hand dryer)

Men	1050mm
Women	975mm
Children	875mm
Disabled	875mm

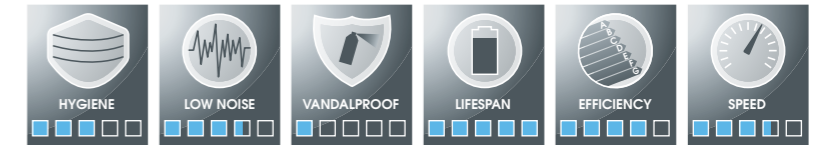
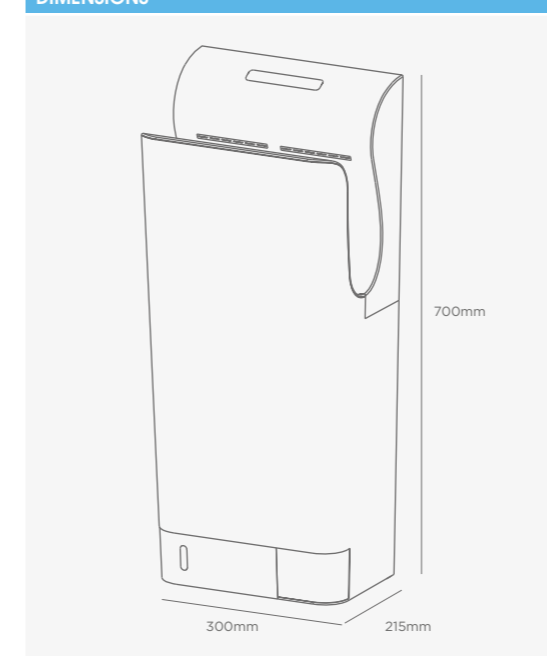


TECHNICAL DESCRIPTION

The outer casing is made from an impact resistant, V0 flame resistant ABS plastic with anti-microbial coating. Dual concentrated jets of air flow from apertures on either side of the dryer provide a blade of airflow. The motor is rated at 750 watts and is a long life, 20,000rpm digital brushless type. Enclosed switch on the side of the unit activates the two speed motor. On high speed setting (110 m/s) the dryer works using an intelligent temperature controlled system that senses if the air temperature and maintains a range between 24 degrees and 40 degrees, only activating the 900 watt heater element as required. On the low speed (95 m/s) setting the heater element automatically activates to a constant temperature with safety controls to prevent overheating. Total rated power is 1.65kw, this is variable from 0.75kw to 1.65kw during use. Approximate consumption per dry is 2 to 6 watts per dry.

The air intake is filtered of 99.99% of bacteria by a HEPA filter. The HEPA filter surfaces are maintained sterile by dual UV-C led lights. The unit also has an 800ml drainage tank which collects the excess water from hand drying. Both the filter and drainage tank are easily accessible from the bottom of the dryer. Intelligent diagnosis system informs service technician by creating error code on display in event of fault. Service requirements like tank full and HEPA change also displayed.

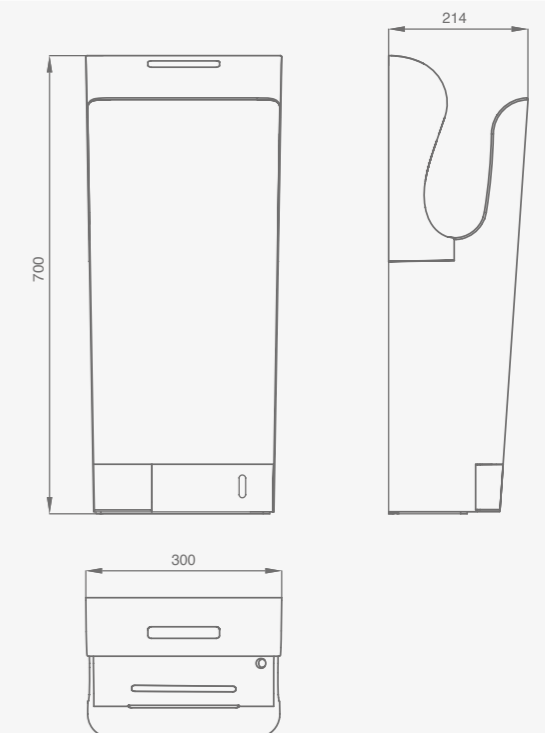
DIMENSIONS



TECHNICAL SPECIFICATION

Input voltage:	Universal voltage 230-240 V 50/60Hz
Rated power:	0.75kw to 1.65 kw intelligent heating system
Dry time:	10-15 seconds
Energy per dry:	3.33 – 4.58 watts
Motor type:	Digital brushless
Motor speed:	20,000rpm
Air speed:	95 m/s or 213 mph
Air volume:	N/A
Operating sound level:	70-75 dB(A) @ 1 metres
Operating temp range:	24 to 40 degrees C
Heater element power:	900W
Standby power consumption:	< 2 watts
Motor cut off time:	30 seconds
Ip rating:	IPX4
Motor class:	Class I
Sensor type:	IR self-adjusting
Materials:	ABS
Finishes available:	Silver, white on request
Guarantee:	5 years
Net weight:	9.5kg
Packed weight:	11kg
Product dimensions :	H700 x W300 x D215mm
Packaging dimensions :	H745 x W355 x D273mm
Certification:	CE and ROHS

MEASUREMENT DETAILS



D-Flow

WHITE
DF01W

SILVER
DF01G

WASHROOM TRAFFIC

Suitable for all locations up to high traffic traffic (300-500 uses per day).

SUITABILITY

Most locations within the recommended uses parameters with the exception of highly vandalised areas like unattended public toilets.

PRODUCT DESCRIPTION

The D-flow is a popular dual 'blade' airflow hand dryer manufactured in the EU. In independent comparative tests we commissioned,* this dryer was found to be one of the fastest drying on the market.

The D-Flow is elegant in design, making it attractive for modern developments. It has an adjustable motor which allows noise levels to be decreased as desired in different areas of the building. There is no heater element on this dryer, this keeps the energy consumption and running costs low. Heat is less important with this style of dryer as they work by scraping water from the hands more than evaporation; however the drying experience remains comfortable as there is residual warmth generated by the motor speed. Dry speeds of 10-15 seconds are realistic.

The water drainage system on this product is excellently designed, so no parts require removing and a hidden valve can be released at the bottom of the unit to empty contents. There is a simple LED light and sound system alerts the customer whether the tray is full or a fault has been detected or it is time to change the filters.

The brush motor has an expected lifespan of 3000 hours with a brush service change after 1500 hours, giving a total expected lifespan of 770,000 cycles.

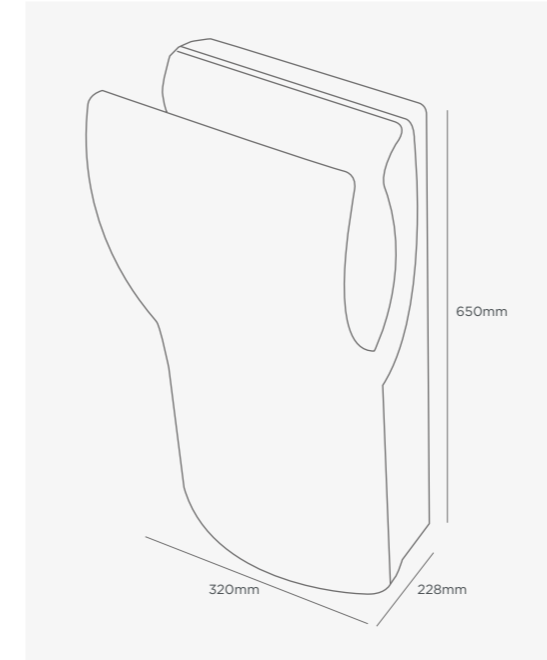


TECHNICAL DESCRIPTION

Available with a white or silver front and constructed from impact resistant V0 ABS plastic with a biocote, anti-microbial coating. Dual jets of concentrated airflow from 4 apertures are activated by 2 IR sensors either side once the hands are detected. The motor is a high speed universal brush class F motor which is adjustable between a rated power consumption of 420 to 1100 watts, operating at 19,000 to 30,000 rpm. The airspeed is adjustable to a maximum of 255 mph and produces a variable noise output from 2 metres of between 62 and 72 dB(A)**

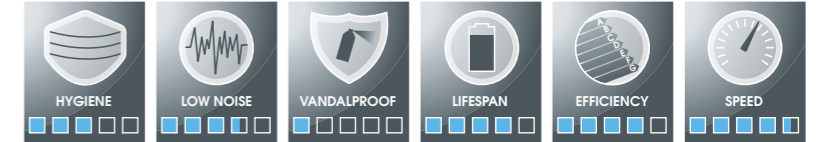
The air intake is filtered of 99.99% of bacteria by a HEPA 13 filter. The unit also has a 650ml drainage tank which collects the excess water from hand drying. Both the filter and drainage tank are easily accessible but effectively hidden from general. Valve system enables quicker water release.

DIMENSIONS



RECOMMENDED INSTALLATION HEIGHTS (from the floor to top of hand dryer)

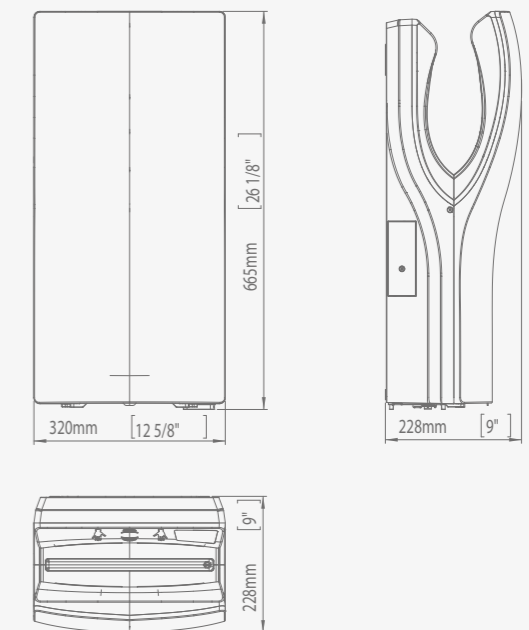
Men	1050mm
Women	975mm
Children	875mm
Disabled	875mm



TECHNICAL SPECIFICATION

Input voltage:	220-240 V 50/60Hz
Rated power:	0.42kw to 1.1 kw adjustable motor
Dry time:	10-15 seconds
Energy per dry:	3.67 watts
Motor type:	Universal brush Class F
Motor speed:	19000 to 32,000rpm
Air speed:	Max 260 mph
Air volume:	94 - 165 m³/h
Operating sound level:	62-75 dB(A) @ 2 metres
Operating temp range:	At ambient 21°C the temperature will be 33°C
Heater element power:	n/a heat generated by motor
Standby power consumption:	< 2 watts
Motor cut off time:	30 seconds
Ip rating:	IPX4
Motor class:	Class I
Sensor type:	dual IR
Materials:	ABS
Finishes available:	Silver
Guarantee:	3 years or 360,000 cycles
Net weight:	8.3kg
Packed weight:	10.3kg
Product dimensions:	H650 x W320 x D228mm
Packaging dimensions :	H750 x W600 x D500mm
Certification:	Certification: CE, GS, EMC (VDE),GOST. Unit shall CE marked and comply with electrical safety directives 2006/95/CE and 2004/108/CE

MEASUREMENT DETAILS





Intelligent Facility Solutions Ltd
Electric Works
3 Concourse Way
Sheffield
S1 2BJ

T: +44 (0)114 354 0047
email: service@ihdryers.co.uk
www.intelligenthanddryers.com